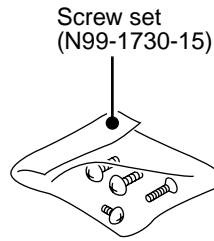
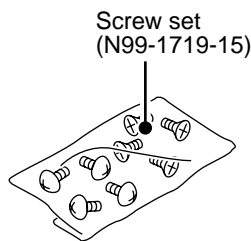
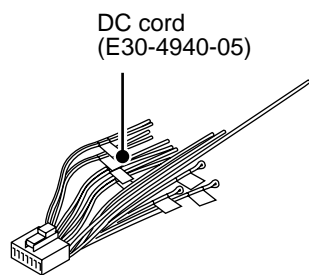
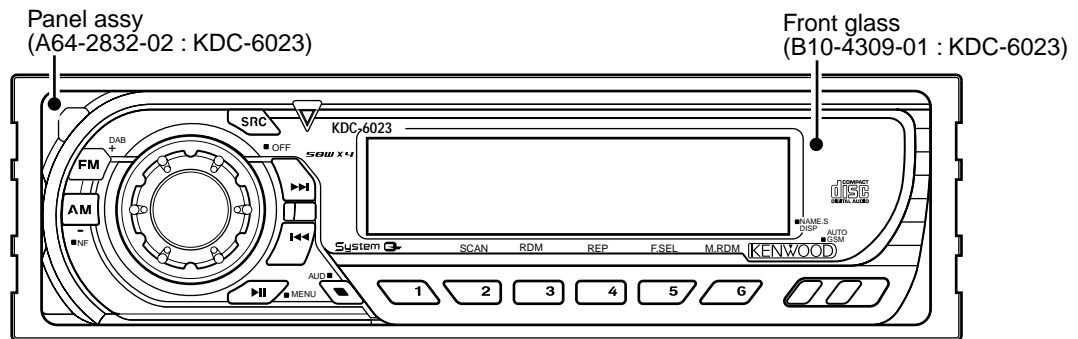
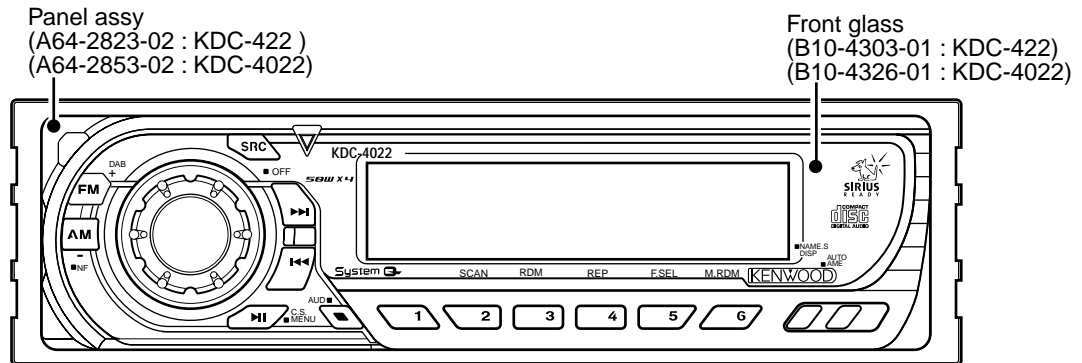


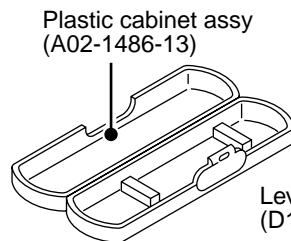
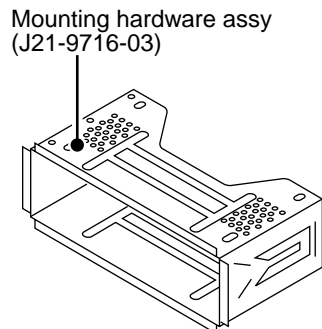
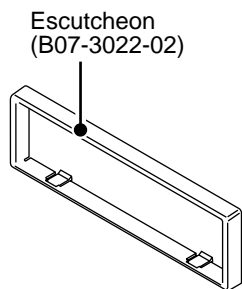
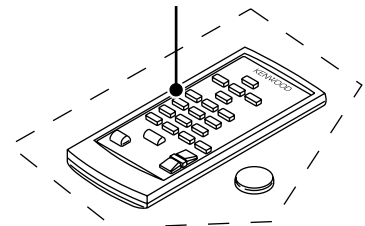
KDC-4022 KDC-422 KDC-6023 SERVICE MANUAL

•CD MECHANISM OPERATION DESCRIPTION is not in this service manual.
Please refer to service manual for X92-4450-0X (B51-7889-00).

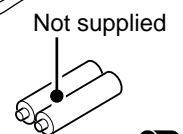
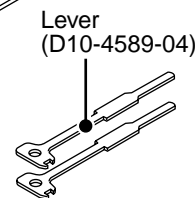
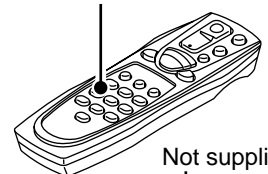
CD mechanism extension cord (24PIN) : W05-0934-00



※ Remote controller Assy (RC-410)
(A70-2026-05)



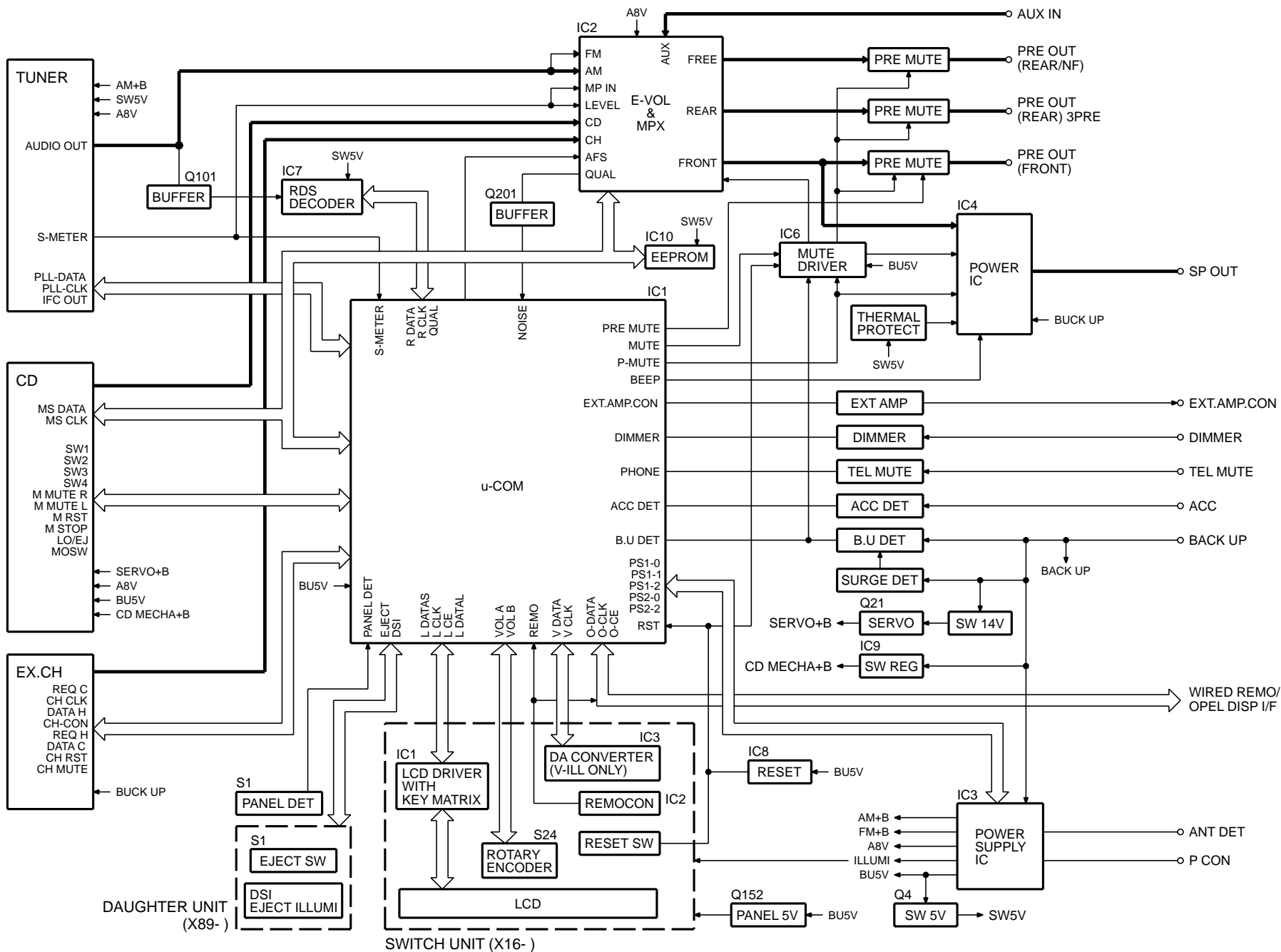
※ Remote controller Assy (RC-505)
(A70-2040-05)



※ Depends on model. Refer to the parts list.



BLOCK DIAGRAM



KDC-4022/422/6023

COMPONENTS DESCRIPTION

● CD PLAYER UNIT (X32-5400-00)

Ref.No.	Component Name	Application/Functions	Operation/Condition/Compatibility
IC1	AN22002AA	RF amplifier adapted for CD-RW	Generation of RF signal based on the signals from the APC circuit and pickup, and generation of servo error (focusing error and tracking error) signals. Detection of dropout, anti-shock, track crossing and off-track conditions, included gain control function during CD-RW.
IC2	MN6627771KP	CD signal processor built-in MI-COM	Focusing, tracking, sled and spindle servo processing. Automatic adjustment (focusing, tracking, gain, offset and balance) operations. Digital signal processing (DSP, PLL, sub-codes, CIRC error correction, audio data Interpolation) operations, and Microcomputer function.
IC3	BA5824FP	4CH BTL driver	Focusing coil, tracking coil, spindle motor and sled motor driver, disc loading and eject operation.
IC4	NJM4580M1	Low pass filter	2nd low pass filter for audio signals.
Q1	MCH6101	APC	LD power control.
Q2	2SA1362(Y)	D.5V SW	When P ON signal goes "L", Q2 is ON.
Q3	DTC124EUA	Q4 SW	When P ON signal goes "L" (SW+5V AVR is ON), Q3 is ON.
Q4	DTA143XUA	A.8V SW	When P ON signal goes "L" (Q3 is ON), Q4 is ON.
Q5	2SC4081	Current driver	Current driver.
Q6	2SA1576A	Current driver	Current driver.
D1	DAN202U	Protection diode	Laser diode protection.
D2	MA8051-L	Zener diode	DAC AVR/LPF reference voltage (A.5V).
D3	DA204U	Current driver	Current driver.

● ELECTRIC UNIT (X25-9800-11/12/21)

Ref.No.	Component Name	Application/Functions	Operation/Condition/Compatibility														
IC1	UPD703030GC013	System microcomputer	Control for TUNER unit, CD mechanism, volume & tone, LCD driver and external CD changer unit														
IC2	TDA7411	Electronic volume & N.C.MPX	Control for source selector, volume & tone, and FM multiplex detector.														
IC3	BA4911-V4	Power supply IC	Power supply for the units (Bu5V, Audio8V, FM+B, AM+B, P-con and ANT-con). <table border="1" style="margin-left: 20px;"> <thead> <tr> <th>SW1</th> <th>OUT</th> </tr> </thead> <tbody> <tr> <td>1.5-3.0V</td> <td>Audio ON</td> </tr> <tr> <td>3.5-5.0V</td> <td>Audio, P-con ON</td> </tr> <tr> <td>7.0V-</td> <td>Audio, P-con, P-ant ON</td> </tr> <tr> <th>SW2</th> <th></th> </tr> <tr> <td>2.0-3.0V</td> <td>Illumination, FM ON</td> </tr> <tr> <td>4.0V-</td> <td>Illumination, AM ON</td> </tr> </tbody> </table>	SW1	OUT	1.5-3.0V	Audio ON	3.5-5.0V	Audio, P-con ON	7.0V-	Audio, P-con, P-ant ON	SW2		2.0-3.0V	Illumination, FM ON	4.0V-	Illumination, AM ON
SW1	OUT																
1.5-3.0V	Audio ON																
3.5-5.0V	Audio, P-con ON																
7.0V-	Audio, P-con, P-ant ON																
SW2																	
2.0-3.0V	Illumination, FM ON																
4.0V-	Illumination, AM ON																
IC4	TA8273H	Audio power amp IC	Amplifier for audio signal to derive for 4channel speakers (50W maximum for each channel).														
IC6	HD74HC27FP	Muting control IC	Control for timing for mute.														
IC8	PST3436UL	Reset IC	When detection voltage goes below 3.5V or less Reset IC output change to "L" signal.														
Q1	2SC4081	Serge detection	When backup voltage become more than 24V output is "L" (momentary power down) / When backup voltage become less than 24V output is "H".														
Q2	2SC4081	Backup detection	When BU voltage supplied output is "L" / When BU voltage not supplied or momentary power down is detected output is "H".														
Q3	2SC4081	ACC detection	When ACC voltage supplied output is "L".														
Q4	2SA1036K	SW 5V	When base voltage is "L" Q4 is ON.														
Q21	2SD2375	AVR	Servo regulator.														
Q22	UMC2N	SW	Servo SW.														
Q23	UMC2N	IC control	Power supply IC controller.														
Q31	UN5213	Dimmer control	When base voltage is "H" dimmer is ON.														

KDC-4022/422/6023

COMPONENTS DESCRIPTION

Ref.No.	Component Name	Application/Functions	Operation/Condition/Compatibility
Q151	UN5114	DSI driver	When base voltage level is "L" DSI LED is light up / When base voltage level is "H" DSI LED turns off / When panel assy is pull off, cut off the supply to panel 5V AVR.
Q152	2SA1576A	Panel 5V SW	When panel assy attached to the unit, Q152 base goes "L" and supply to panel 5V AVR to panel assy .
Q153	UN5213	Illumination control	When Q153 base voltage to "H", illumination is light up.
Q154	2SA1577	Illumination control	When Q153 base voltage to "H", illumination is light up.
Q201	UN5216	Buffer amp	Noise buffer amp.
Q350	UN5112	Pre & NF mute SW	When base voltage to "L", drive to pre & NF mute SW(Q351,355,357).
Q351	UN5216	Pre mute SW	When base voltage to "H", muting to the pre Lch or NF Lch line.
Q352	UN5216	Pre mute SW	When base voltage to "H", muting to the pre Rch or NF Rch line.
Q354	UN5112	Pre & NF mute SW	When base voltage to "L", drive to pre & NF mute SW(Q32,356,358).
Q355	UN5216	Pre mute SW	When base voltage to "H", muting to the front Lch line.
Q356	UN5216	Pre mute SW	When base voltage to "H", muting to the front Rch line.

● SWITCH UNIT (X16-2020-10/12)

Ref.No.	Component Name	Application/Functions	Operation/Condition/Compatibility
IC1	LC75808W	LCD driver	Drive for LCD unit.
IC2	PNA4S22M	Remote control IC	Receiving for the remote control unit.
Q1	2SC4081	VLCD AVR	When base voltage level goes 7.9V Q1 is ON.
Q2	DTA114EUA	Remo. ON SW	When base voltage level goes "L" the power supply IC2 is turned "ON".
Q3	2SC4081	key illumination SW	Lights up for green key illumination when base voltage level goes "H".
Q4	2SC4081	key illumination SW	Lights up for red key illumination when base voltage level goes "H".
Q5	2SC4081	Dimmer control SW	Lights up for LCD back light when base voltage level goes "H".

KDC-4022/422/6023

MICROCOMPUTER'S TERMINAL DESCRIPTION

● IC1: ELECTORIC UNIT (X25-9800-11/12/21)

Pin No.	Name	I/O	Description/Processing Operation
1	PLL CLK	O	CLK output terminal to Front End
2	N.C	-	Open
3	PANEL DET	I	Panel assy detect terminal (Panel assy come off : L)
4	IC2 SDA	I/O	Control Data input / output terminal for electric volume, CD mechanism
5	IC2 SCL	O	Clock DATA output terminal for electric volume, CD mechanism
6	VDD	-	Power supply input terminal (BU 5V)
7	VSS	-	GND
8	FLIP-DET	I	Panel assy open detect terminal (panel close : L)
9	BEEP	O	Beep audio signal output terminal
10	REMO	I	Remote control signal input terminal
11	R QUAL	I	RDS decoder QUAL signal input terminal
12	R DATA	I	RDS decoder Data signal input terminal
13	L CE	O	CE output for LCD driver IC
14	VILL DATA	O	Variable illumination DATA out put terminal for D/A converter
15	VILL CLK	O	Valuable illumination CLK out put terminal for D/A converter
16	DSI	O	Disc guide illumination control terminal
17	DIM CON	O	Dimmer control terminal
18	TEST	-	Test terminal
19	ILL CON	O	Illumination control terminal
20	VOL A	I	Volume key input terminal
21	VOL B	I	Volume key input terminal
22	MOSW	O	CD mechanism motor IC control output terminal (Loading,eject ,brake :L)
23	LO/EJ	O	CD mechanism loading / eject control terminal
24	M STOP	O	Request signal (Mechanism is STOP) output to CD mechanism (active L)
25	M RST	O	Reset signal output to CD mechanism (active L)
26	MUTE	O	Muting signal output terminal
27	LOE/LIM SW	I	Down SW detection from CD mechanism
28	M-MUTE L	I	Request for muting signal from CD mechanism (Mute request : L)
29	M-MUTE R	I	Request for muting signal from CD mechanism (Mute request : L)
30	PANEL 5V	O	Control for Panel5V AVR
31	RESET	I	Reset terminal (Active : L)
32	XT1	I	Sub clock input terminal (32.768KHz)
33	XT2	I	Sub clock input terminal (32.768KHz)
34	REGC	-	Regulator output terminal
35	X2	I	Main clock input terminal (20MHz)
36	X1	I	Main clock input terminal (20MHz)
37	VSS	-	GND
38	VDD	-	Power supply input terminal (BU 5V)
39	NC	-	Open
40	IC2 TYPE1	I	Electric volume condition setting terminal
41	IC2 TYPE0	I	Electric volume condition setting terminal
42	TYPE2	I	Destination setting terminal
43	TYPE1	I	Destination setting terminal
44	TYPE0	I	Destination setting terminal
45	CD MECHA+B	O	AVR control for CD mechanism (For MP3 AVR ON :L)
46	SW 5V	O	Control terminal for SW5V AVR (ON : L , OFF : Hi-Z)
47	PS2-0	O	Power supply IC control terminal
48	PS2-1	O	Power supply IC control terminal
49	PS1-0	O	Power supply IC control terminal
50	PS1-1	O	Power supply IC control terminal

KDC-4022/422/6023

MICROCOMPUTER'S TERMINAL DESCRIPTION

Pin No.	Name	I/O	Description/Processing Operation
51	PS1-2	O	Power supply IC control terminal
52	B.U-DET	I	BU detect input terminal (BU detect : L)
53	ACC-DET	I	ACC detection input terminal (ACC detect : L)
54	DIMMER	I	Illumination detect terminal from CAR (illumination ON : L)
55	BVDD	-	Power supply input terminal (BU 5V)
56	BVSS	-	Open
57	EXT AMP CON	O	EXT. amp control terminal (Active H)
58	SVR	O	SVR control for Audio power IC
59	P-MUTE	O	Muting control for Audio power IC
60	P-STBY	O	STBY control for Audio power IC (Power IC ON : H)
61	NC	-	Open
62	PRE MUTE R	O	Rch pre mute output terminal (Active H)
63	PRE MUTE L	O	Lch pre mute output terminal (Active H)
64	TUNER	O	Noise detection (FM seek,AM search : L)
65	O-DATA	O	DATA signal output for EXT. display (Handling for OPEL display)
66	O-CLK	O	CLK signal output for EXT. display (Handling for OPEL display)
67	O-CE	O	CE signal output for EXT. display (Handling for OPEL display)
68	LX-RST	O	Reset signal output to EXT. unit
69	LX-CON	O	Control signal output to EXT. unit (ON : H , OFF : L)
70	AVCONT	O	Control for A/D reference voltage
71	AVDD	-	Power supply input terminal (BU 5V)
72	AVSS	-	Open
73	AVREF	I	A/Dreference voltage input terminal
74	PHONE	I	Mobil phone detection input terminal
75~81	NC	-	GND
82	S-METER	I	S meter detection input terminal
83	NOISE	I	FM noise detection input terminal
84	IFC-OUT	I	IFC OUT input terminal
85	LX-MUTE	I	Request signal input terminal from EXT.unit (Mute ON : L)
86	LX-REQ-M	O	Request signal output terminal to EXT.unit (Request : L)
87	R-CLK	I	RDS decoder CLK input terminal
88	LX-REQ-S	I	Request signal input terminal from EXT.unit (Request : L)
89	KEY-REQ	I	Request for communicate from LCD driver IC (KEY input : L)
90	LO.S SW	I	Loading start SW detection input terminal (Loading start : L)
91	12EJE SW	I	12cm CD disc eject SW detection input terminal (12cm disc : L)
92	EJECT	I	Eject detection terminal (KEY input : L)
93	8EJE SW	I	8cm CD disc eject SW detection input terminal (Not used)
94	LX-DATA-S	I	DATA signal input from EXT. unit
95	LX-DATA-M	O	DATA signal output to EXT. unit
96	LX-CLK	I/O	CLK signal input/output to EXT. unit
97	L DATAL	I	DATA input terminal from LCD driver IC
98	L DATAS	O	DATA output terminal to LCD driver IC
99	L CLK	O	CLK output terminal to LCD driver IC
100	PLL DATA	I/O	Data input / out put terminal to Front-end

KDC-4022/422/6023

TEST MODE

1. How to enter the test mode

- While holding the preset 1 key and 3 keys, reset the unit.

2. How to exit from the test mode

- Reset the unit, ACC OFF, power OFF, and come off the front panel assy for the unit.

3. Initial status in the test mode

- Sources : All OFF.
- Display : All segments were lit.
- Volume : -10 dB (displayed as 30)
- Loudness : OFF
- CRSC : OFF regardless of the presence of switching function.
- SYSTEM Q : Flat.
- Aux : ON
- Display color : white (variable color display model only)
- Beep sound : ON

4. Special display in Tuner mode

When any of the following messages is displayed in Tuner mode, the Front-end (F/E) may be bad condition.

- "TNE2P NG": The EEPROM is set to the default (unstable values) because the F/E was shipped without passing through the adjustment process, etc.
- "TNCON NG": Communication with the F/E to micro-processor is not possible.

5. Forced switching of K3I

Each press of the Preset 6 key in Tuner mode should switch K3I from AUTO → Forced Wide → Forced Middle → Forced Narrow → AUTO. The initial status is AUTO and the display shows these modes as follows.

- AUTO : FMA
- Forced Wide : FMW
- Forced Middle : FMM
- Forced Narrow : FMN

6. Test mode specifications of the CD receiver

- Forced ejection is inhibited in the reset start operation.
When the unit is reset while a CD is loaded in it, the CD is not recognized by resetting.
- Each press of the Track Up key jumps to the following track numbers:
No. 9 → No. 15 → No. 10 → No. 11 → No. 12 → No. 13 → No. 22 → No. 14 → No. 9 (The cycle restarts from here.)
- Each press of the Track Down key jumps to the previous track number to the track being played.

- When the number of total tracks of an MP3 disc is nine or less, unit playback from a track 1.
- When the media to CD-DA, unit playback from track No.28 by key operation of preset 1 key.

7. Audio-related specifications

- A short press of the Q key initiates the audio adjustment mode.
- Pressing the * key on the remote initiates the audio adjustment mode.
- Continuous holding of a remote control key is inhibited.
- Bass, Middle and Treble are adjusted in 3 steps of -8 / 0 / +8 with the Track Up/down keys (default is 0).
- Balance is adjusted in 3 steps of Left L15 / 0 / R15 Max with the Track Up/down keys (default is 0).
- Fader is adjusted in 3 steps of Rear15 / 0 / F15 Max with the Track Up/down keys (default is 0).
- HPF is adjusted in 2 steps of Through/170Hz (or 200Hz) with the Track Up/down keys (default is through).
- LPF is adjusted in 2 steps of Through/120Hz with the Track Up/down keys (default is through).
- Bass f, Bass Q, Bass EXT, Middle f, Middle Q and Treble f are not dealt with by the audio adjustment.

8. Menu-related specifications

- A short press of the PLAY/PAUSE key initiates the Menu mode.
- Pressing the DNPP key on the remote initiates the Menu mode.
- Continuous holding of a remote control key is inhibited.
- Contrast is adjusted press of the Track up/down key in 3 steps of 0 / 5 / 10 (default is 5).

9. Backup current measurement

When the unit is reset while ACC is OFF (i.e. by turning Backup ON), the MUTE terminal goes OFF in 2 seconds in place of 15 second. (The CD mechanism is not activated at this time.)

TEST MODE

10. Special display when the display is all on

Pressing the Preset keys while the power is ALL OFF displays the following information.

PRESET 1	Version display (8 digits, Month/Day/Hour/Minute) (Display) SYS xxxxxxxx
PRESET 2	Serial No. display (8 digits) (Display) S. No. xxxxxxxx
PRESET 3	Short press: View power ON time. (The All OFF period is not counted.) Long press/hold: Clear power ON time. (Display) PonTim xxxxx Max. 60,000 (hours)
PRESET 4	Short press: Display CD operation time. Long press/hold: Clear CD operation time (Display) CDTime xxxxx Max. 60,000 (hours)
PRESET 5	Short press: Display CD ejection count. Long press/hold: Clear CD ejection count. (Display) EjeTim xxxxx Max. 60,000 (times)
PRESET 6	Short press: Display Panel open/close count. Long press/hold: Clear Panel open/close count. (Display) PnCnt xxxxx Max. 60,000 (times)
FM	ROM correction version information (Display) ROM Rxxxx If not mounting ROM correction chip set display shows ROM R_

11. Change the condition of TUNER channel space selection (K/M type only)

While holding the preset 1 key and 5 keys, reset the unit.

Security-related information

1. Forced Power ON mode (All models)

Even when the security is approved, resetting the unit while holding the Q and Preset 4 keys makes it possible to turn the power ON for 30 minutes.

After 30 minutes have elapsed, it is not possible to return to the previous condition unless the unit is reset again.

2. Method of registration of the security code after EEPROM (Tuner unit assy) replacement (Code security model)

1. Enter the test mode. (See 1. How to enter the test mode)
2. Press the MENU key to enter the MENU mode.
3. Press and hold down the Track up/down key for 1 second until "Security" is displayed.
4. Enter the code using the FM/AM/TARCK up/down keys.
 - FM key: number is up
 - AM key: number is dawn
 - Track up key: move the cursor for right side
 - Track down key: move the cursor for left side

5. Hold down the Track up key for at least 3 seconds and the message, "RE-ENTER" appears, so once again enter the code according to Step 3 above.
6. Press and hold the Track up key for 3 seconds until "APPROVED" is displayed.
7. Exit from the test mode. (See 2. How to exit from the test mode)
(Note) All Clear is not applicable to the security code of this model.

3. Simplified method of clearing the security code (K, E Type only)

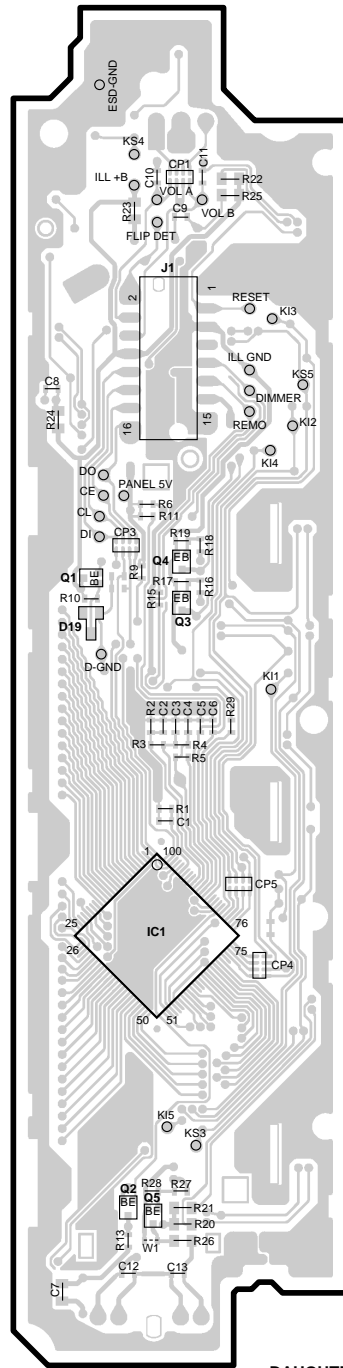
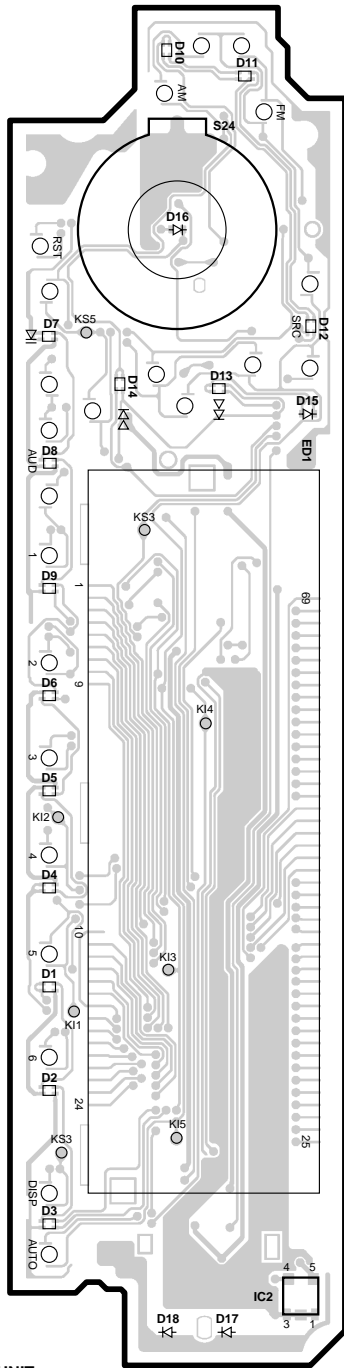
1. While the code entry is requested, press and hold the TRACK UP key for 3 seconds while holding the DISP key pressed. (This should turn "----" off.)
2. Enter "KCAR" from the remote.
 - Press the 5 key on the remote twice, and then press the Track Up key. (This enters "K".)
 - Press the 2 key on the remote 3 times, and then press the Track Up key. (This enters "C".)
 - Press the 2 key on the remote once, and then press the Track Up key. (This enters "A".)
 - Press the 7 key on the remote twice, and then press the Track Up key. (This enters "R".)
3. The security code is cleared and the unit enters the ALL OFF mode.
4. If you commit a mistake in the code entry, the unit enters the code request mode again.

PC BOARD

(COMPONENT SIDE VIEW) (FOIL SIDE VIEW)

SWITCH UNIT X16-2020-10/12 (J74-1448-22)

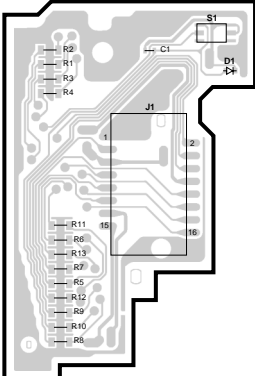
SWITCH UNIT X16-2020-10/12 (J74-1448-22)



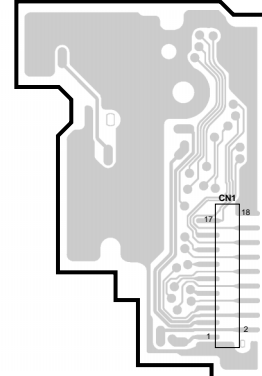
X16-2020-10/12

Ref. No	address
IC1	4C
IC2	6B
Q1	3C
Q2	5C
Q3	3C
Q4	3C
Q5	5C

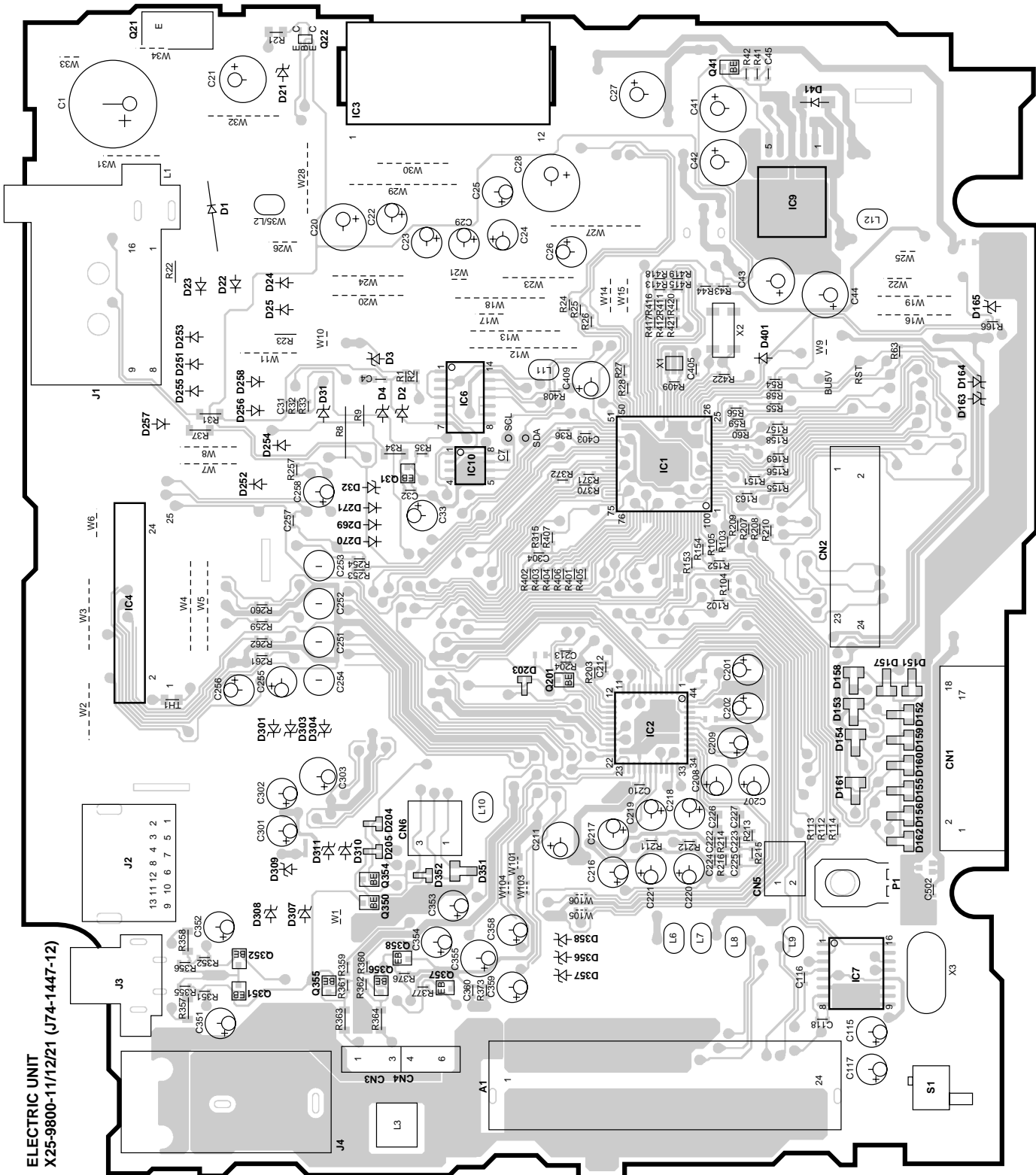
DAUGHTER UNIT X89-2570-10 (J74-1450-02)



DAUGHTER UNIT X89-2570-10 (J74-1450-02)



KDC-4022/422/6023 PC BOARD (COMPONENT SIDE VIEW)

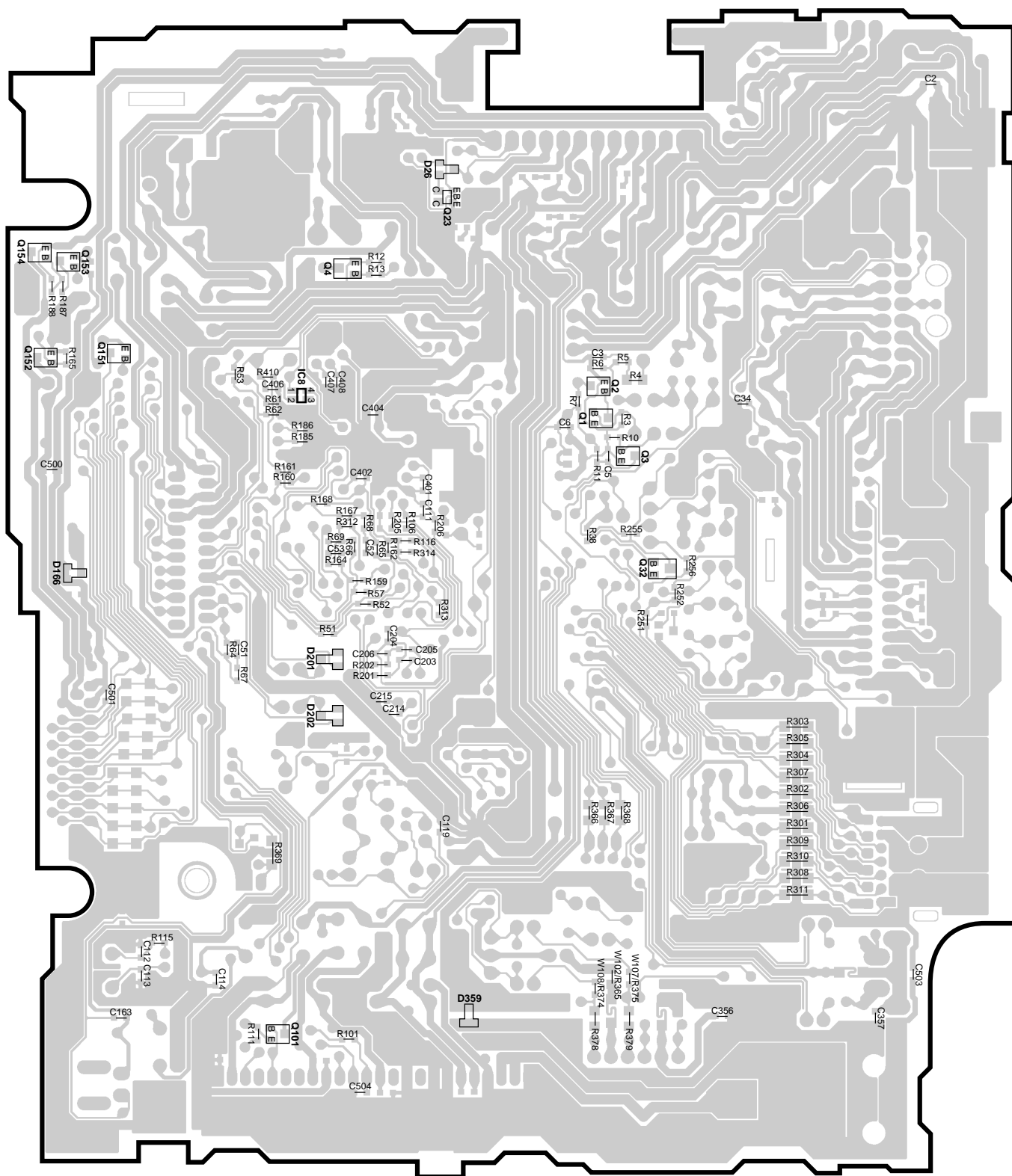


ELECTRIC UNIT
X25-9800-11/12/21 (J74-1447-12)

X25-9800-11/12/21

Ref. No	address	Ref. No	address	Ref. No	address
IC1	3I	Q21	1F	Q351	6G
IC2	4I	Q22	1G	Q352	5G
IC3	2G	Q31	3H	Q354	5G
IC4	4F	Q201	4H	Q355	6G
IC6	3H	Q350	5G	Q356	6H

PC BOARD (FOIL SIDE VIEW)

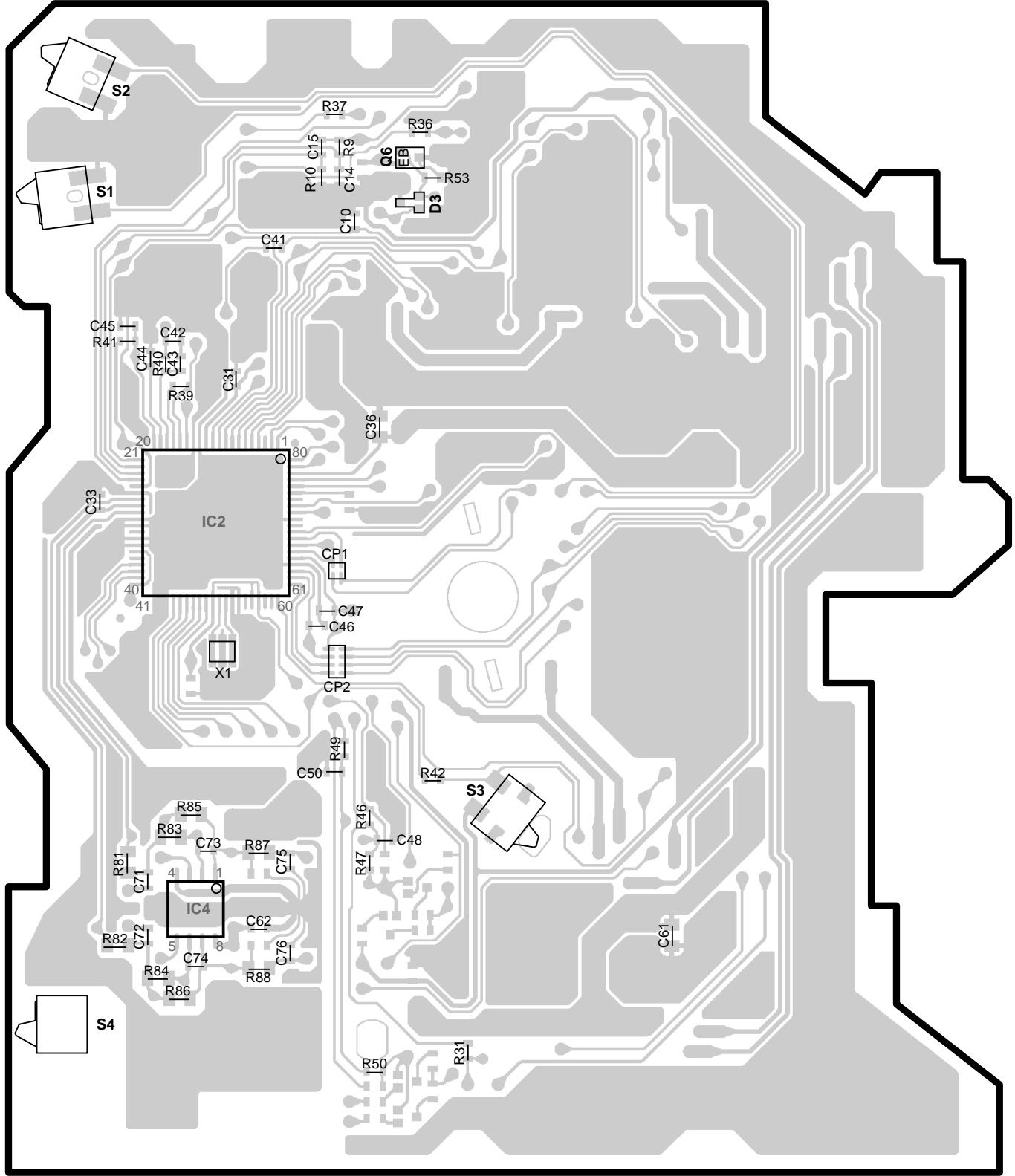
ELECTRIC UNIT
X25-9800-11/12/21 (J74-1447-12)

X25-9800-11/12/21

Ref. No	address	Ref. No	address
IC8	3L	Q23	2M
Q1	3M	Q151	3K
Q2	3M	Q152	3K
Q3	3M	Q153	2K
Q4	2L	Q154	2K

KDC-4022/422/6023 PC BOARD (COMPONENT SIDE VIEW)

CD PLAYER UNIT X32-5400-00 (J74-1486-12)

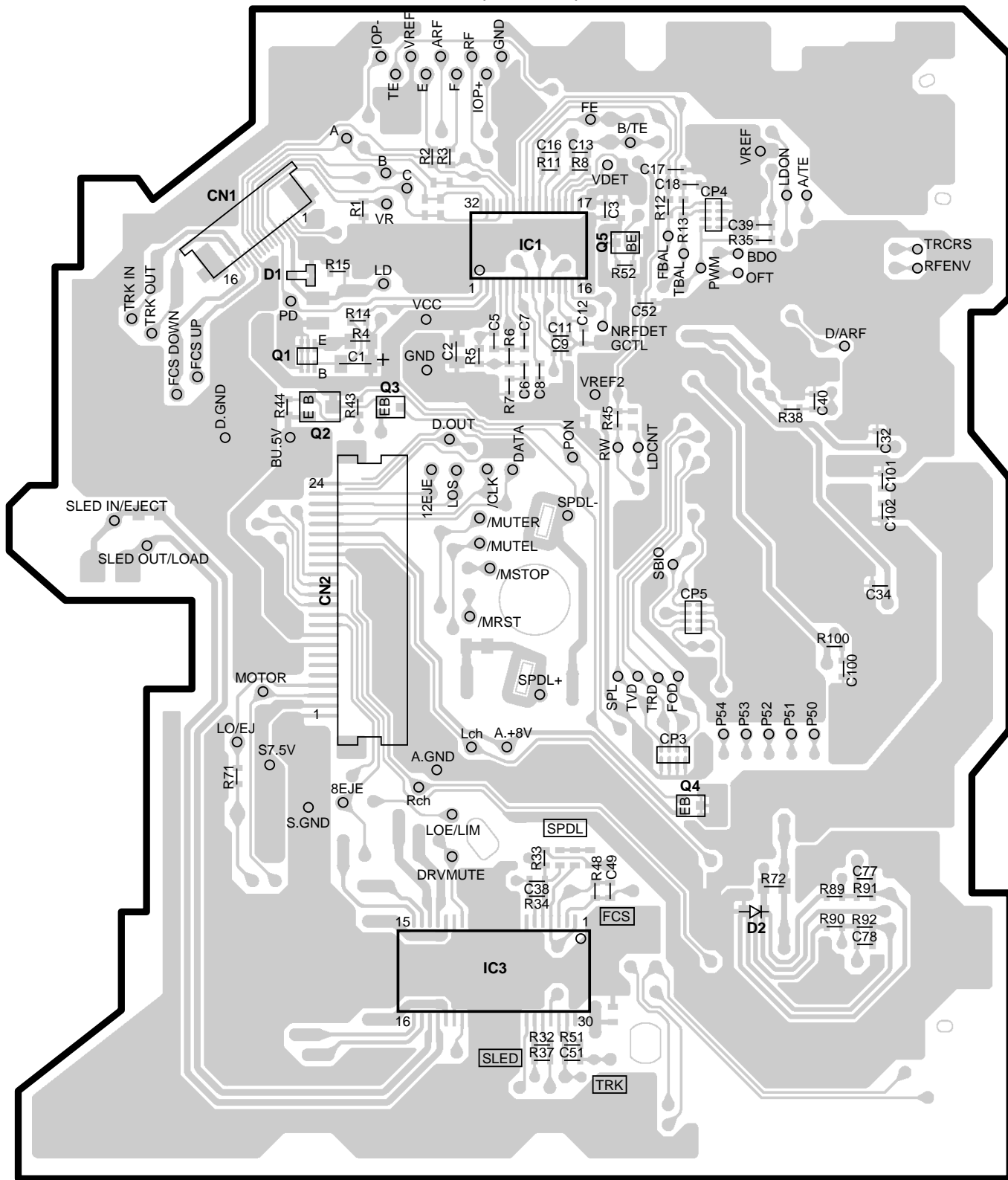


X32-5400-00

Ref. No	address
IC2	4Q
IC4	5Q
Q6	2R

PC BOARD (FOIL SIDE VIEW)

CD PLAYER UNIT X32-5400-00 (J74-1486-12)

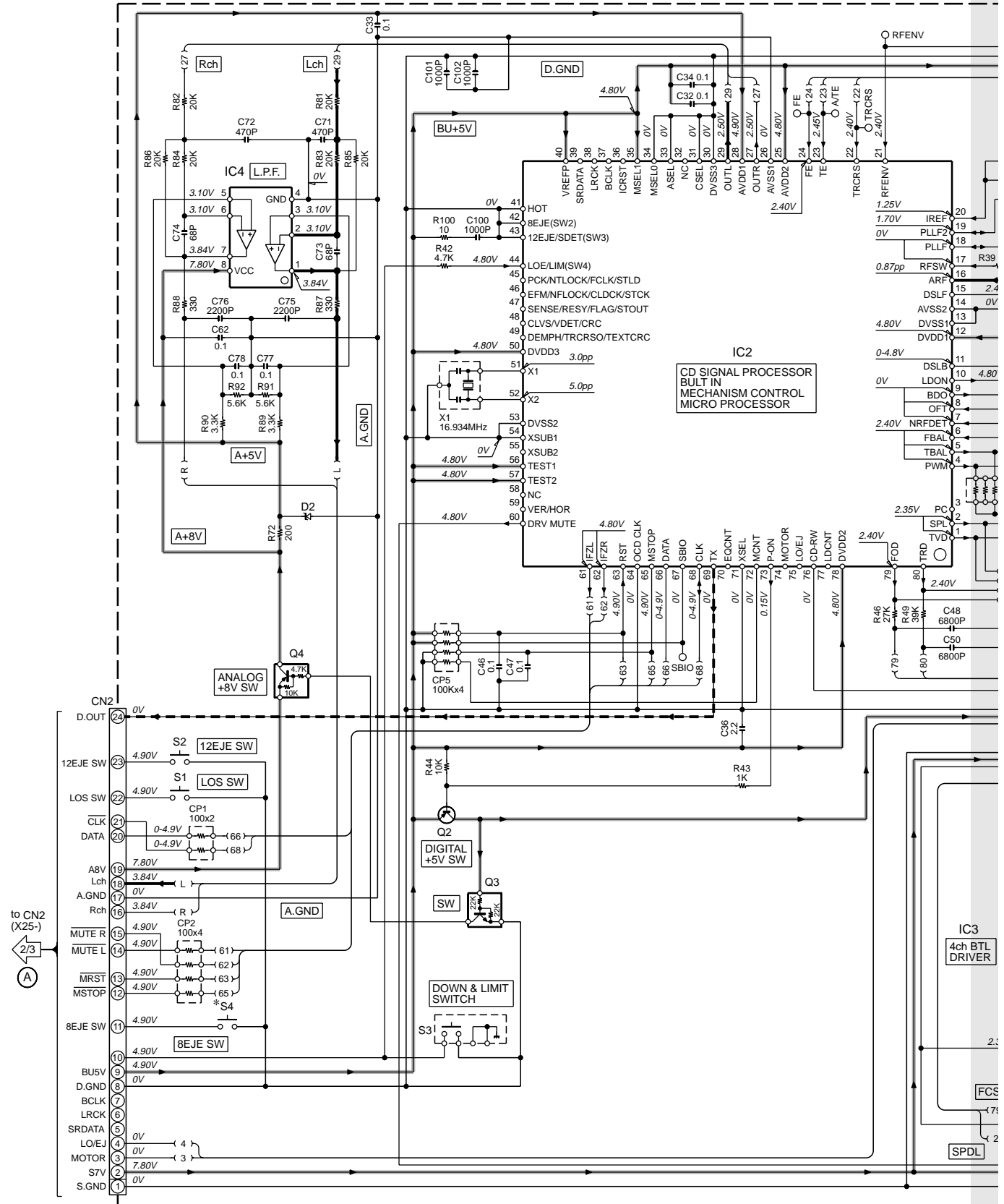


X32-5400-00

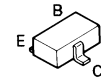
Ref. No	address	Ref. No	address
IC1	2W	Q4	5X
IC3	6W	Q5	2W
Q1	3V		
Q2	3V		
Q3	3V		

KDC-4022/422/6023

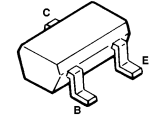
CD PLAYER UNIT (X32-5400-00)



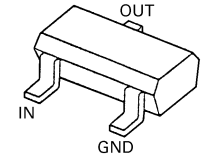
DTC143TUA
UN5114
UN5213
UN5216
2SA1036K
2SA1362
2SA1576A



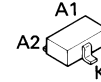
2SC4081



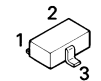
DTA114EUA
DTA124EUA
DTC124EUA
DTC144EUA



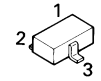
DAN202U



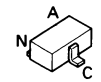
DAP202U
DA204K
DA204U
DTA114YUA



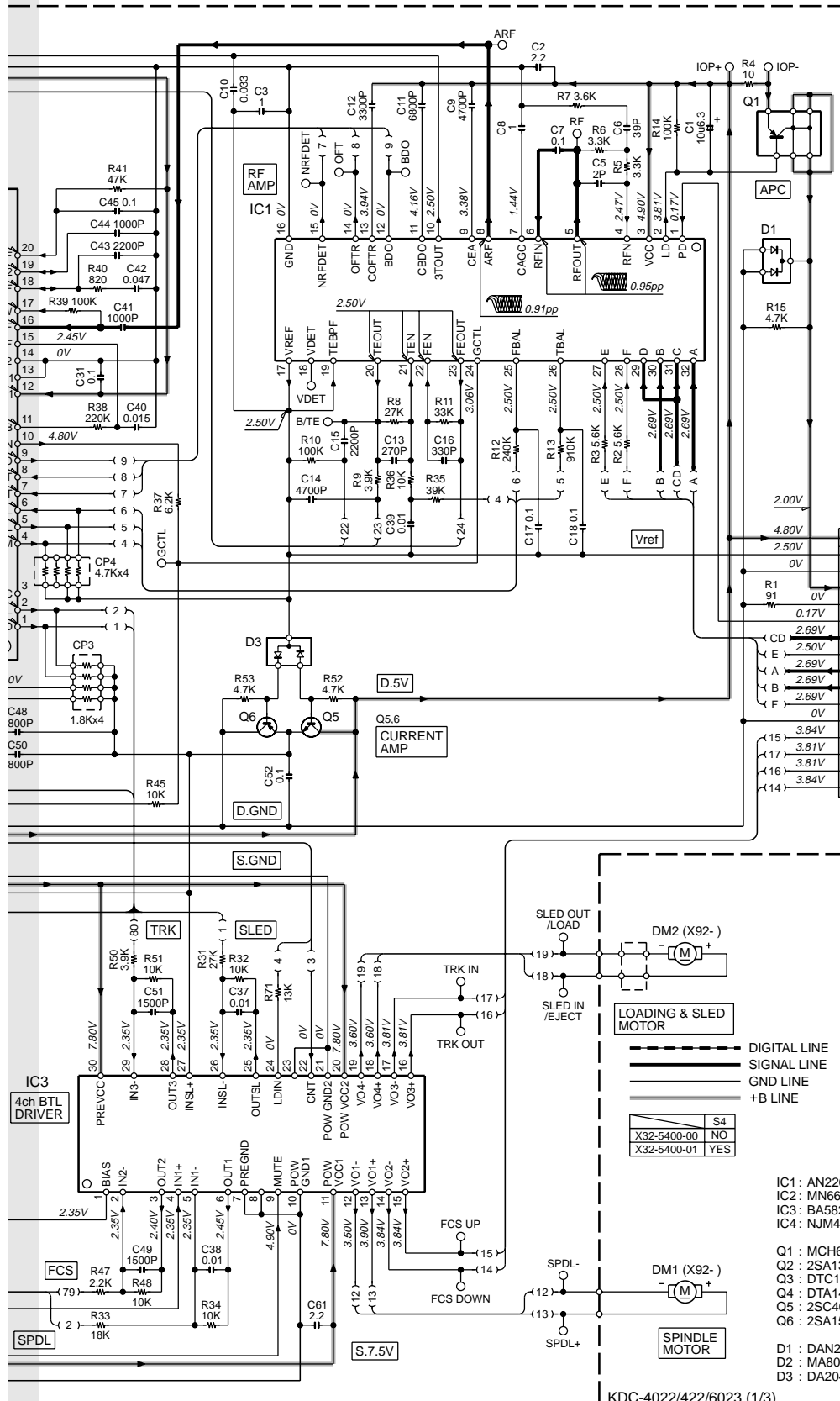
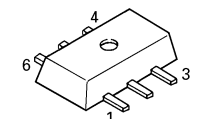
MA142WA
MA142WK
UN5212



RD6.8M



MCH6101



KDC-4022/422/6023 (1/3)

DIGITAL LINE
SIGNAL LINE
GND LINE
+B LINE

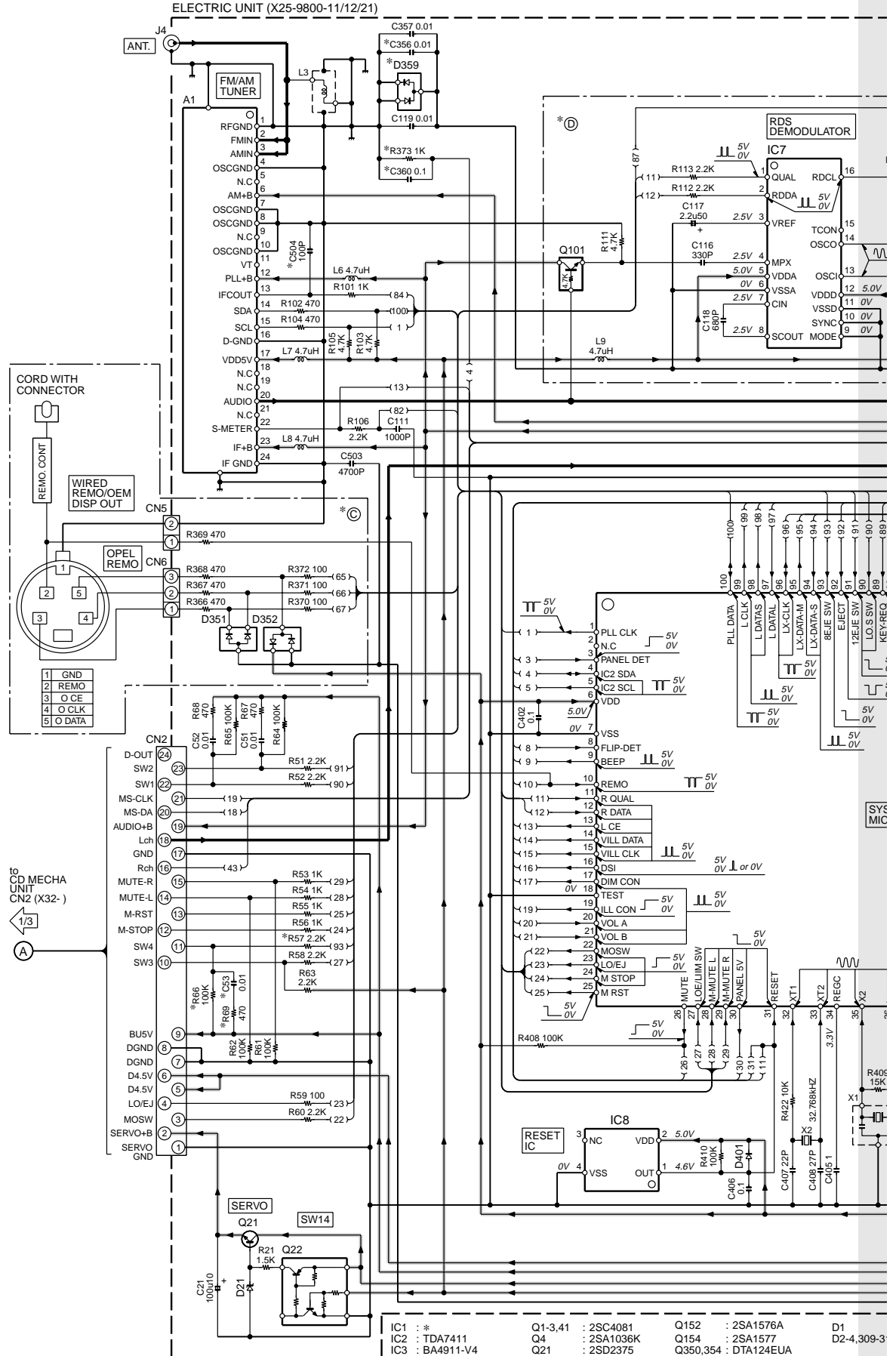
	S4
X32-5400-00	NO
X32-5400-01	YES

IC1: AN22002AA
IC2: MN6627771KP
IC3: BA5824FP
IC4: NJM4580M1
Q1: MCH6101
Q2: 2SA1362(Y)
Q3: DTC124EUA
Q4: DTA143XUA
Q5: 2SC4081
Q6: 2SA1576A
D1: DAN202U
D2: MA8051-L
D3: DA204U

CAUTION: For continued safety, replace safety critical components only with manufacturer's recommended parts (refer to parts list).
 ⚠ Indicates safety critical components. To reduce the risk of electric shock, leakage-current or resistance measurements shall be carried out (exposed parts are acceptably insulated from the supply circuit) before the appliance is returned to the customer.
 • DC voltages are as measured with a high impedance voltmeter. Values may vary slightly due to variations between individual instruments or/and units.

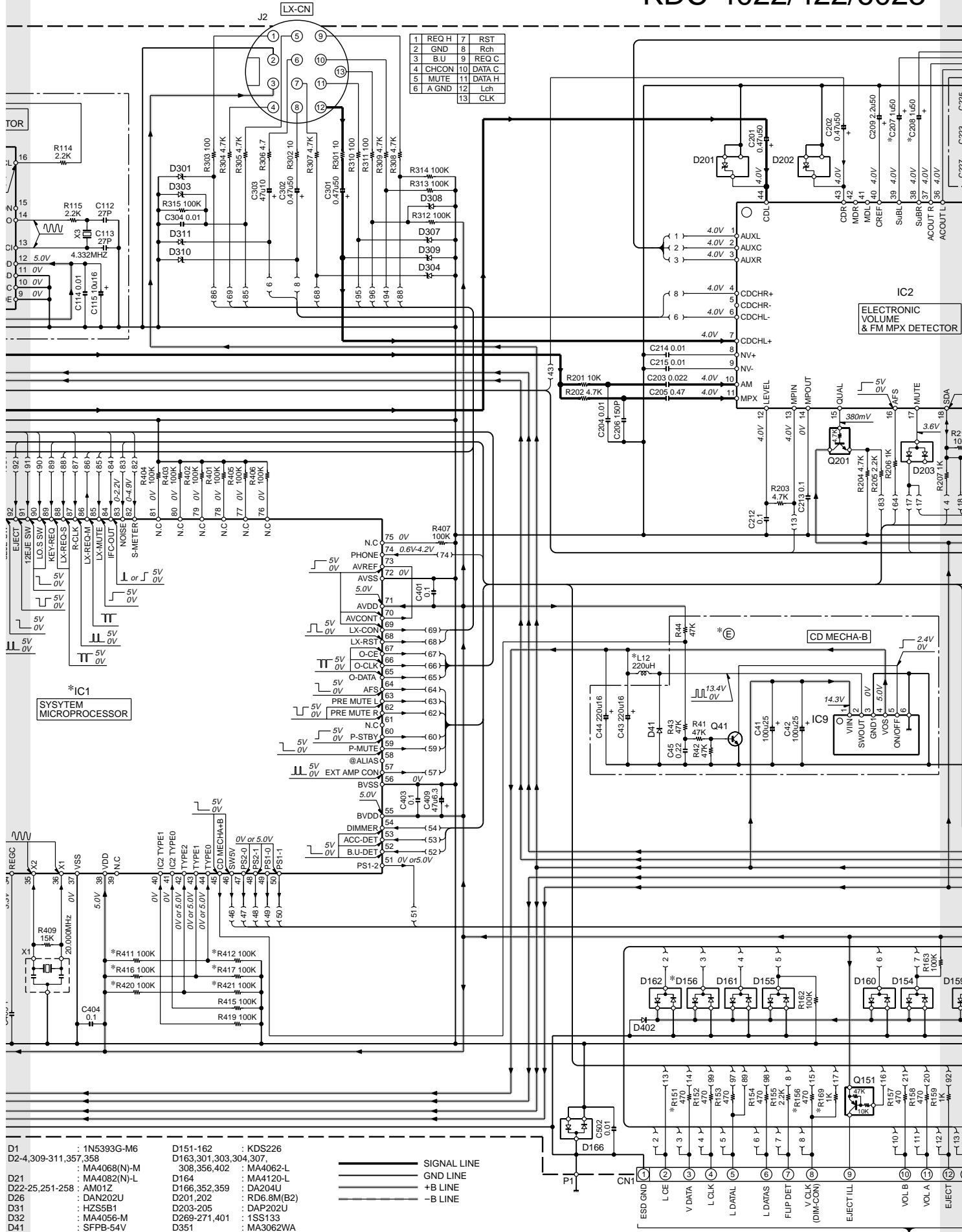
KDC-4022/422/6023

ELECTRIC UNIT (X25-9800-11/12/21)

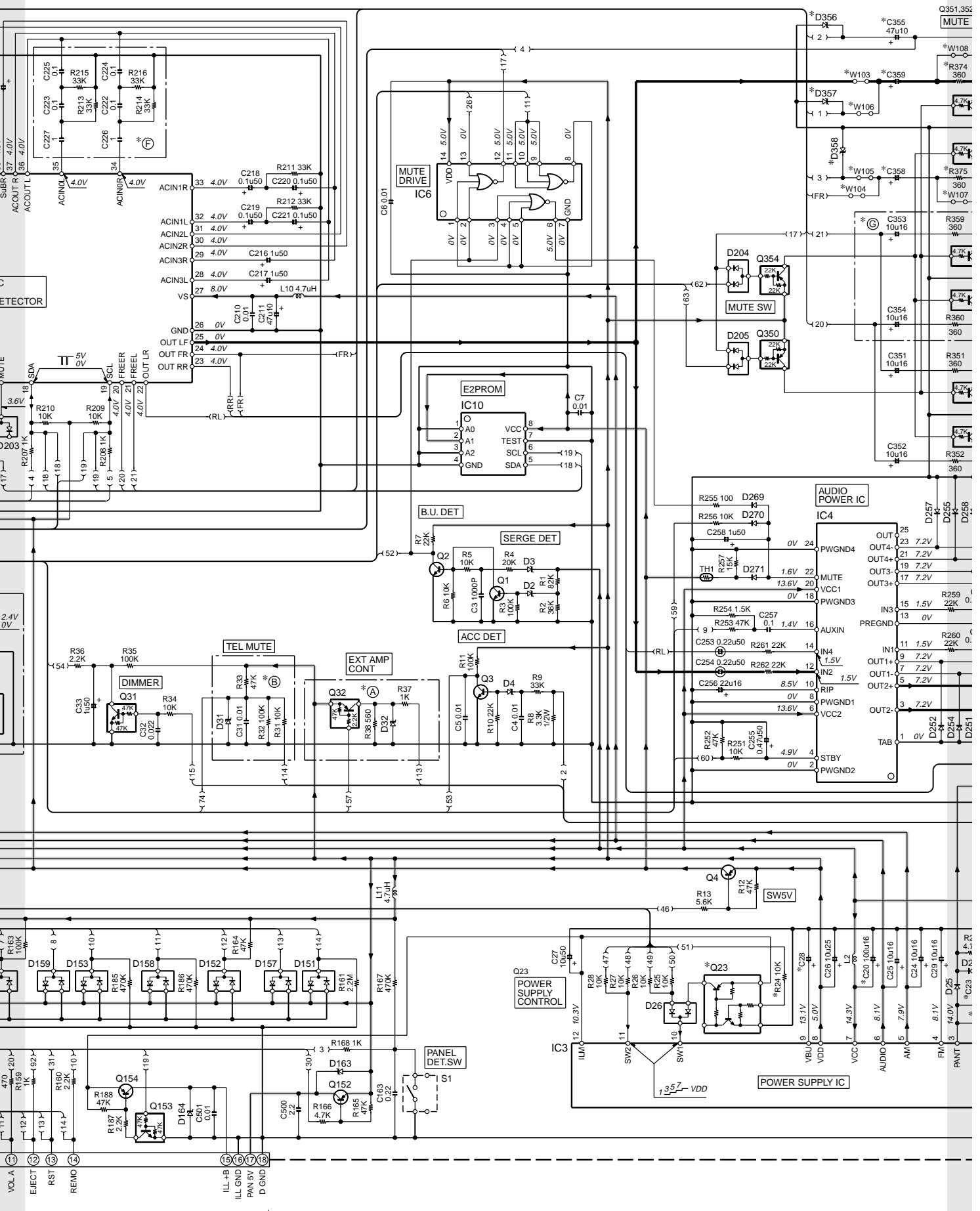


IC1 : *	Q1-3,41 : 2SC4081	Q152 : 2SA1576A	D1
IC2 : TDA7411	Q4 : 2SA1036K	Q154 : 2SA1577	D2-4,309-33
IC3 : BA4911-V4	Q21 : 2SD2375	Q350,354 : DTA124EUA	D21
IC4 : TA8273H	Q22,23 : UMC2N		D22-25,251
IC6 : HD74HC27FP	Q31,153 : DTC144EUA		D26
IC7 : SAA6581T	Q32 : DTA123JK		D31
IC8 : PST3436UL	Q101,201,351,352,355-358 : DTC143TUA		D32
IC9 : SI-8050JD	Q151 : DTA114YUA		D41
IC10 : BR24C01AF-W			

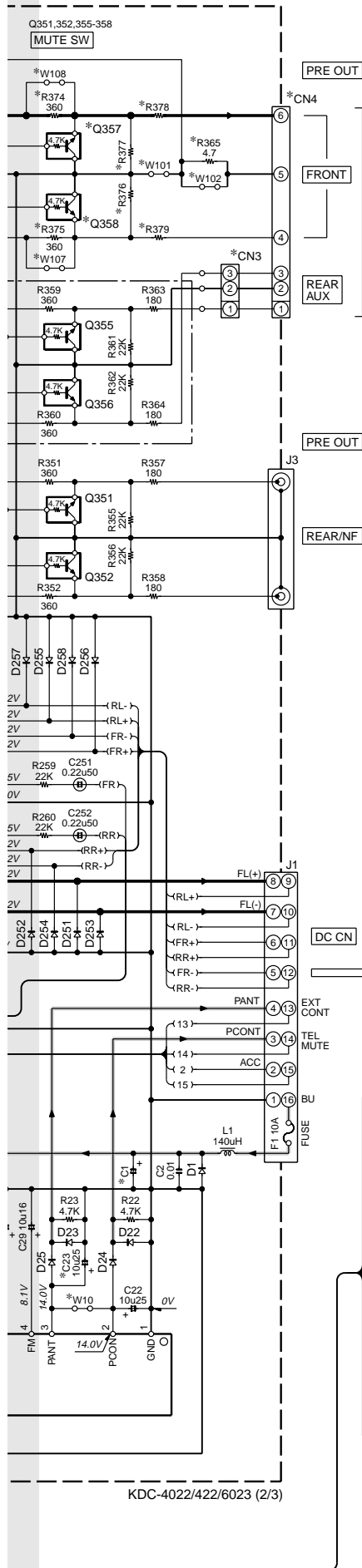
KDC-4022/422/6023



KDC-4022/422/6023



KDC-4022/422/6023



(X25-957X-XX)

MODEL NAME	UNIT No.	(A)	(F)	(B)	(C)	(D)	(E)	(G)	C1	C20.53, 504	C23	C28	C207, 208, 360	C355	C356	C358, 359	CN3	CN4	D156	D356-359	
KDC-X569(K)	0-10	YES		NO			YES		3900u50	NO	YES	C90-2926-05	YES	NO	NO	10u50	NO	YES	NO	NO	NO
KDC-MP522(K)	0-11	NO		NO			YES		2200u50	NO	YES	C90-2926-05	NO	NO	YES	NO	NO	NO	NO	NO	NO
KDC-MPV622(K)	0-12	NO		NO			YES		2200u50	NO	YES	C90-2926-05	NO	NO	YES	NO	NO	NO	NO	NO	NO
KDC-MPV6022(K)	0-13	NO		NO			YES		2200u50	NO	YES	C90-2926-05	YES	YES	YES	0.47u50	NO	NO	NO	YES	YES
KDC-MPV7023(M/K)	0-21	NO		NO			YES		2200u50	NO	YES	C90-2926-05	YES	YES	YES	0.47u50	NO	NO	NO	YES	YES
KDC-M6024G/GY(E2)	2-71	NO		NO			YES		2200u50	NO	NO	C90-2926-05	NO	NO	YES	0.47u50	NO	NO	NO	YES	NO

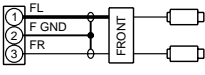
(X25-9712-XX)

MODEL NAME	UNIT No.	(A)	(F)	(B)	(C)	(D)	(E)	(G)	C1	C20	C23	C28	C23, 53, 207, 208, 355, 360, 504	C356	C358, 359	CN3	CN4	D156	D356-359	
KDC-M6024Y(E)	2-70	NO		YES			YES		2200u50	NO	NO	C90-2926-05	YES	0.47u50	YES	NO	NO	NO	NO	NO
KDC-M6024(E)	2-71	NO		YES			NO		3300u50	YES	NO	C90-2980-05	YES	NO	YES	NO	NO	NO	NO	NO
KDC-V6524(E)	2-72	NO		YES			NO		3300u50	NO	NO	C90-2980-05	YES	NO	YES	NO	NO	NO	NO	NO

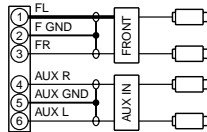
(X25-980X-XX)

MODEL NAME	UNIT No.	(A)	(F)	(B)	(C)	(D)	(E)	(G)	C1	C20	C23	C28	C53, 504	C207, 208	C355	C356	C358, 359	C360	CN3	CN4	D156	D356-359
KDC-X469(K)	0-10	YES		NO			NO	YES	3900u50	YES	YES	C90-2980-05	NO	YES	NO	NO	NO	NO	NO	YES	NO	NO
KDC-422(K)	0-11	NO		NO			NO	YES	3300u50	YES	YES	C90-2980-05	NO	NO	NO	NO	NO	NO	NO	NO	NO	NO
KDC-4022(K)	0-12	NO		NO			NO	YES	3300u50	YES	YES	C90-2980-05	NO	NO	NO	NO	NO	NO	NO	NO	NO	NO
KDC-4023(M/K)	0-21	NO		NO			NO	YES	3300u50	YES	YES	C90-2980-05	NO	YES	YES	0.47u50	NO	NO	NO	NO	NO	NO
KDC-6024Y(E2)	2-71	NO		NO			YES	NO	3300u50	YES	NO	C90-2980-05	NO	NO	NO	NO	NO	NO	NO	NO	NO	NO
RX-591CD(J)	0-01	NO		NO			NO	NO	3300u50	YES	YES	C90-2980-05	YES	YES	NO	NO	NO	NO	NO	NO	YES	NO

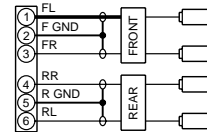
(E30-6229) : KDC-MP522/MPV622
KDC-422/4022/V6524
KDC-6024/Y
KDC-M6024G/GY/GY



(E30-6228) : KDC-MPV6022
KDC-MPV7023
KDC-6023

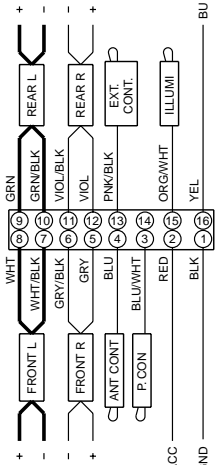


(E30-6227) : KDC-X569
KDC-X469

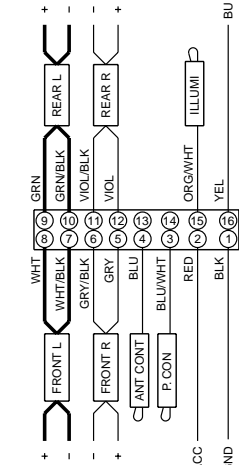


(X89-257X-XX)

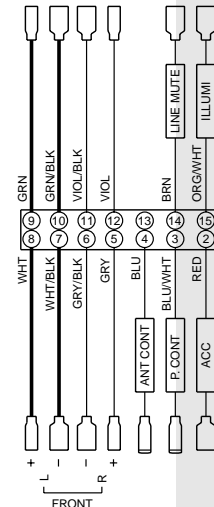
MODEL NAME	UNIT No.
KDC-422(K)	X89-2570-10
KDC-4022(K)	
KDC-6023(M/K)	
KDC-6024Y(E2)	
KDC-M6024Y/GY(E2)	
KDC-MP522(K)	
KDC-MPV6022(K)	
KDC-MPV622(K)	
KDC-MPV7023(M/K)	
KDC-X469(K)	
KDC-X569(K)	
RX-591CD(J)	X89-2602-70
KDC-6024(E)	
KDC-M6024(E)	
KDC-M6024G/Y(E)	
KDC-V6524(E)	



DC CORD (E30-4939-05) : KDC-X569/469

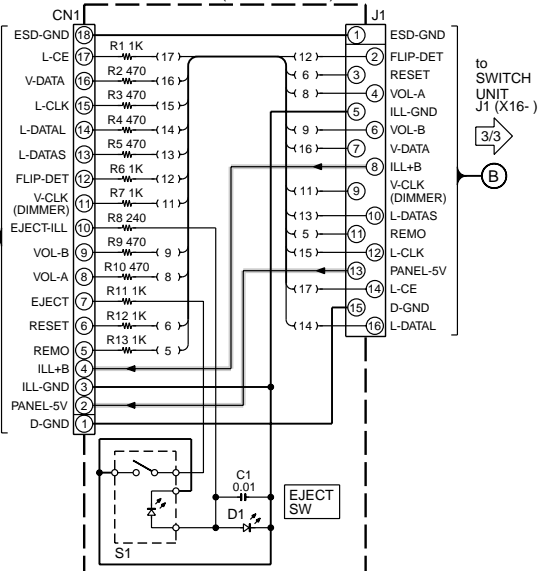


DC CORD (E30-4940-05) : KDC-422/4022/6023/MP522/MPV622/6022/7023



DC CORD (E30-6070-05) : RX-591CD

DAUGHTER UNIT (X89-2XXX-XX)



D1 : B30-1566

KDC-4022/422/6023 (2/3)

KDC-4022/422/6023

(X25-957X-XX)

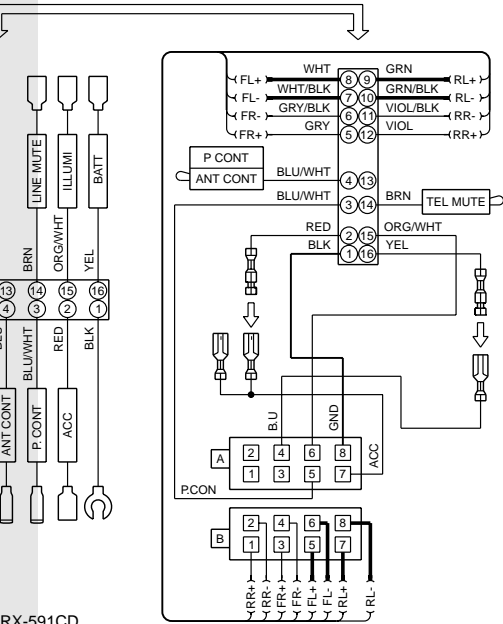
MODEL NAME	IC1	L12	Q23	Q357, 358	R24	R57, 66, 69	R151, 156, 416	R169, 417	R365, 373	R374, 375	R376, 377	R378, 379	R411	R412	R420	R421	W10	W101-104	W105-108
KDC-X569(K)	UPD703030GC012	NO	YES	YES	YES	NO	NO	YES	NO	360	22K	180	NO	YES	NO	YES	NO	YES	NO
KDC-MP522(K)	UPD703030GC012	NO	YES	NO	YES	NO	NO	YES	NO	NO	NO	NO	YES	NO	NO	YES	NO	NO	NO
KDC-MPV622(K)	UPD703030GC012	NO	YES	NO	YES	NO	YES	NO	NO	NO	NO	NO	NO	YES	NO	YES	NO	NO	NO
KDC-MPV6022(K)	UPD703030GC012	NO	YES	NO	YES	NO	YES	NO	YES	NO	9.1K	1K	NO	YES	YES	NO	NO	NO	YES
KDC-MPV7023(M/K)	UPD703030GC012	NO	YES	NO	YES	NO	YES	NO	YES	NO	9.1K	1K	YES	NO	NO	YES	NO	NO	YES
KDC-M6024G/GY(E2)	UPD703030GC012	NO	NO	NO	NO	NO	NO	YES	NO	NO	NO	NO	NO	NO	YES	YES	NO	NO	NO

(X25-9712-XX)

MODEL NAME	IC1	L12	Q23, 357, 358	R24, 57, 66, 69, 365, 373-379, 411, 416	R151, 156, 421	R169, 420	R412, 417	W10	W101-108
KDC-M6024Y(E)	UPD703030GC012	NO	NO	NO	NO	YES	YES	YES	NO
KDC-M6024(E)	UPD703030GC013	YES	NO	NO	NO	YES	YES	YES	NO
KDC-V6524(E)	UPD703030GC013	YES	NO	NO	YES	NO	YES	YES	NO

(X25-980X-XX)

MODEL NAME	IC1	L12	Q23	Q357, 358	R24	R57, 66, 69, 151, 156	R169	R365, 373	R374, 375	R376, 377	R378, 379	R411	R412	R416	R417	R420	R421	W10	W101-104	W105-108	
KDC-X469(K)	UPD703030GC013	YES	YES	YES	YES	NO	YES	NO	360	22K	180	YES	NO	NO	YES	NO	YES	NO	YES	NO	NO
KDC-422(K)	UPD703030GC013	YES	YES	NO	YES	NO	YES	NO	NO	NO	NO	NO	YES	YES	NO	NO	YES	NO	NO	NO	NO
KDC-4022(K)	UPD703030GC013	YES	YES	NO	YES	NO	YES	NO	NO	NO	NO	NO	YES	YES	NO	NO	YES	NO	NO	NO	NO
KDC-6023(M/K)	UPD703030GC013	YES	YES	NO	YES	NO	YES	YES	NO	9.1K	1K	YES	NO	YES	NO	NO	YES	NO	NO	NO	YES
KDC-6024Y(E2)	UPD703030GC013	YES	NO	NO	NO	NO	NO	NO	NO	NO	NO	NO	NO	NO	YES	YES	NO	YES	NO	YES	NO
RX-591CD(J)	UPD703030GC013	YES	YES	NO	YES	YES	NO	NO	NO	NO	NO	YES	NO	NO	YES	NO	YES	NO	NO	NO	NO



DC CORD
 (E30-4944-05): KDC-M6024Y/GY
 KDC-6024Y
 (E30-4958-05): KDC-M6024/G
 KDC-6024
 KDC-V6524

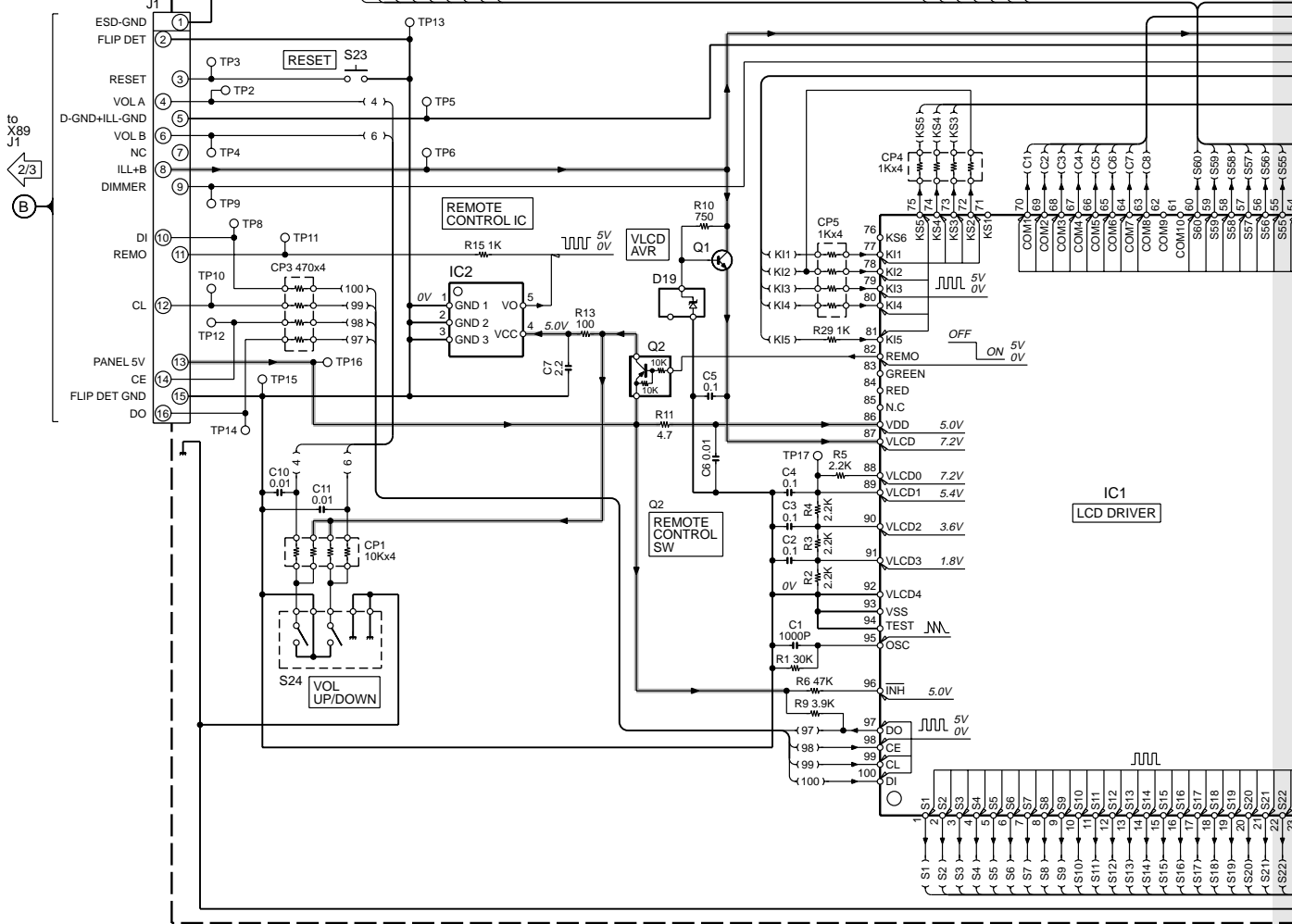
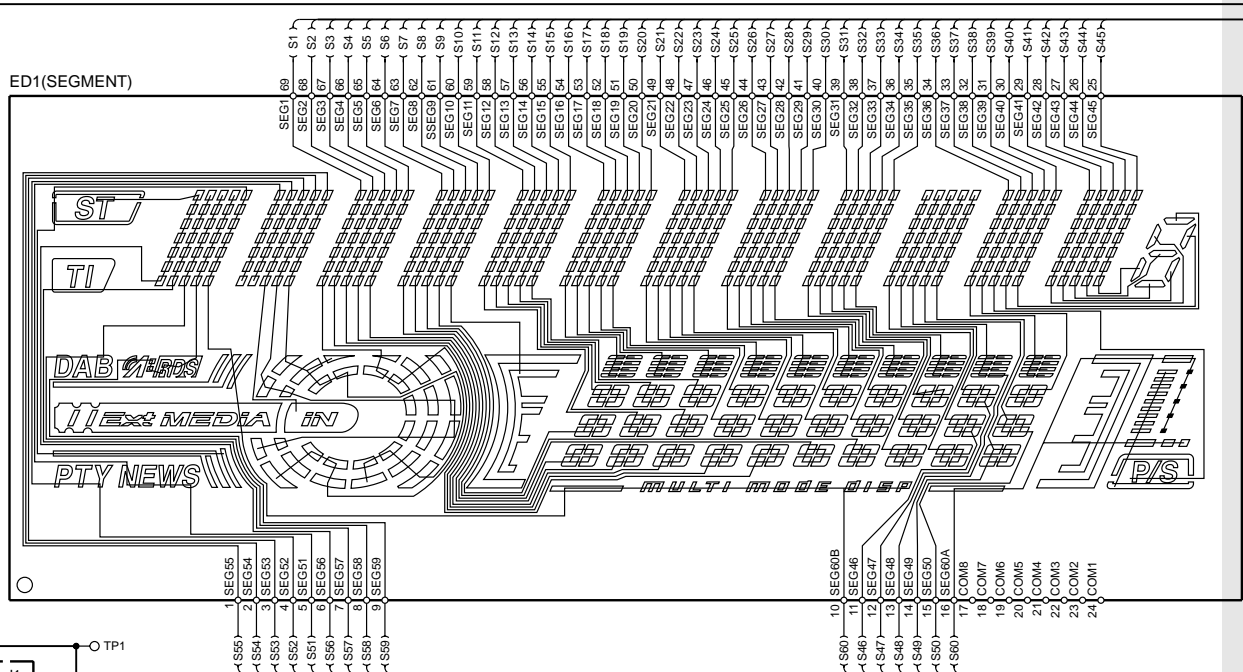
CAUTION : For continued safety, replace safety critical components only with manufacturer's recommended parts (refer to parts list).

△ Indicates safety critical components. To reduce the risk of electric shock, leakage-current or resistance measurements shall be carried out (exposed parts are acceptably insulated from the supply circuit) before the appliance is returned to the customer.

- DC voltages are as measured with a high impedance voltmeter. Values may vary slightly due to variations between individual instruments or/and units.

KDC-4022/422/6023

SWITCH UNIT (X16-2020-10/12)



KDC-4022/422/6023

1

2

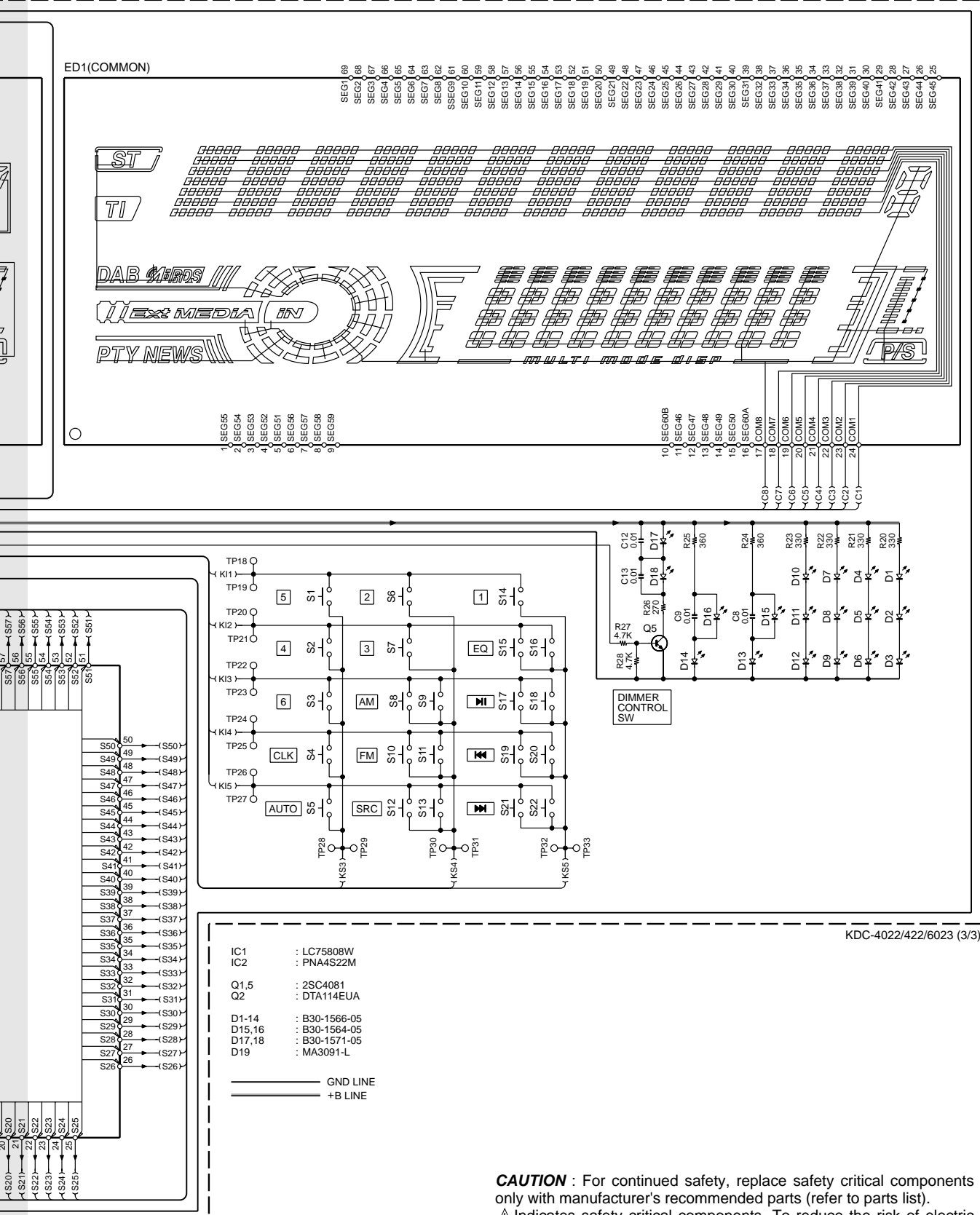
3

4

5

6

7



KDC-4022/422/6023 (3/3)

- IC1 : LC75808W
 - IC2 : PNA4S22M
 - Q1,5 : 2SC4081
 - Q2 : DTA114EUA
 - D1-14 : B30-1566-05
 - D15, 16 : B30-1564-05
 - D17, 18 : B30-1571-05
 - D19 : MA3091-L
- GND LINE
 ——— +B LINE

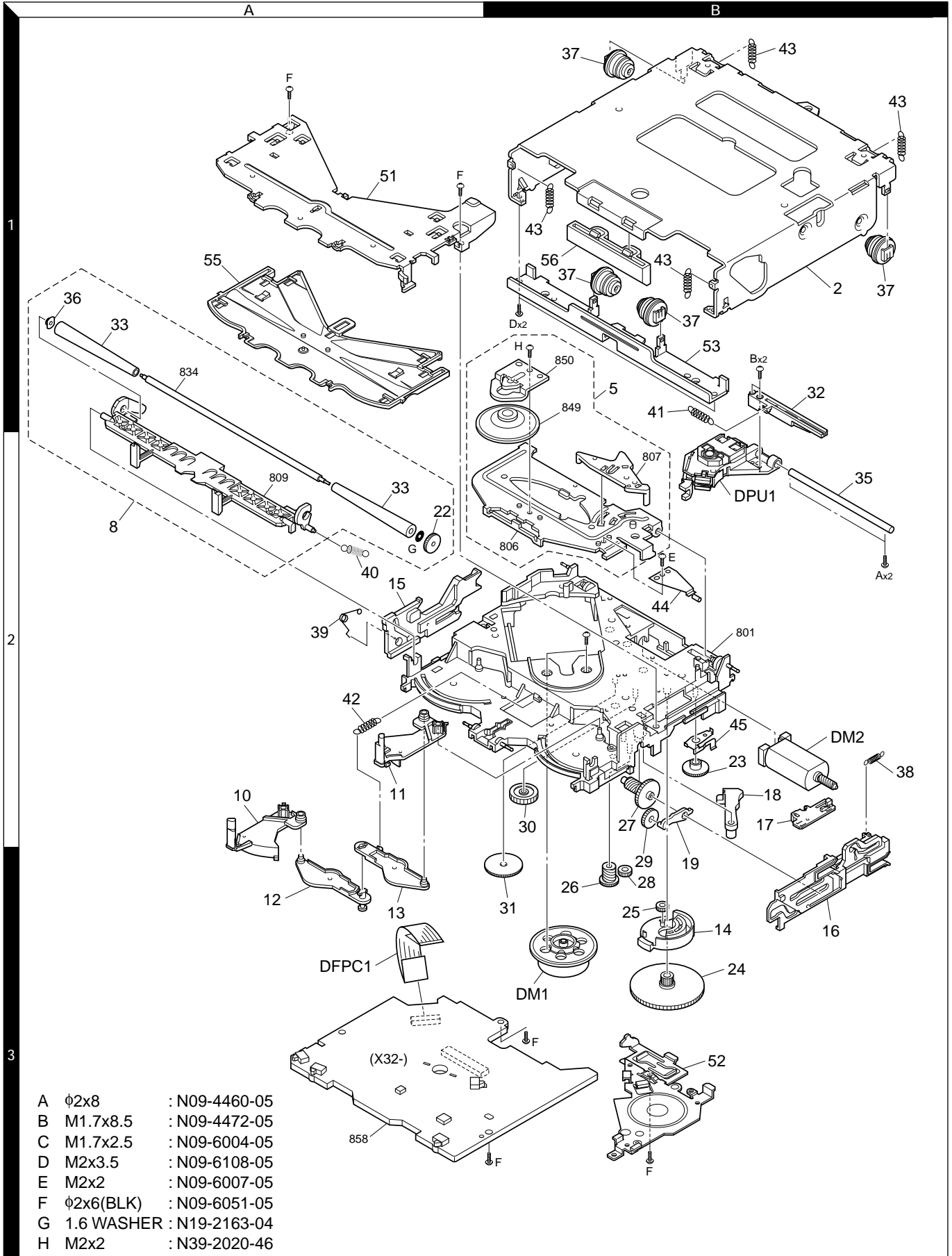
CAUTION : For continued safety, replace safety critical components only with manufacturer's recommended parts (refer to parts list).

⚠ Indicates safety critical components. To reduce the risk of electric shock, leakage-current or resistance measurements shall be carried out (exposed parts are acceptably insulated from the supply circuit) before the appliance is returned to the customer.

- DC voltages are as measured with a high impedance voltmeter. Values may vary slightly due to variations between individual instruments or/and units.

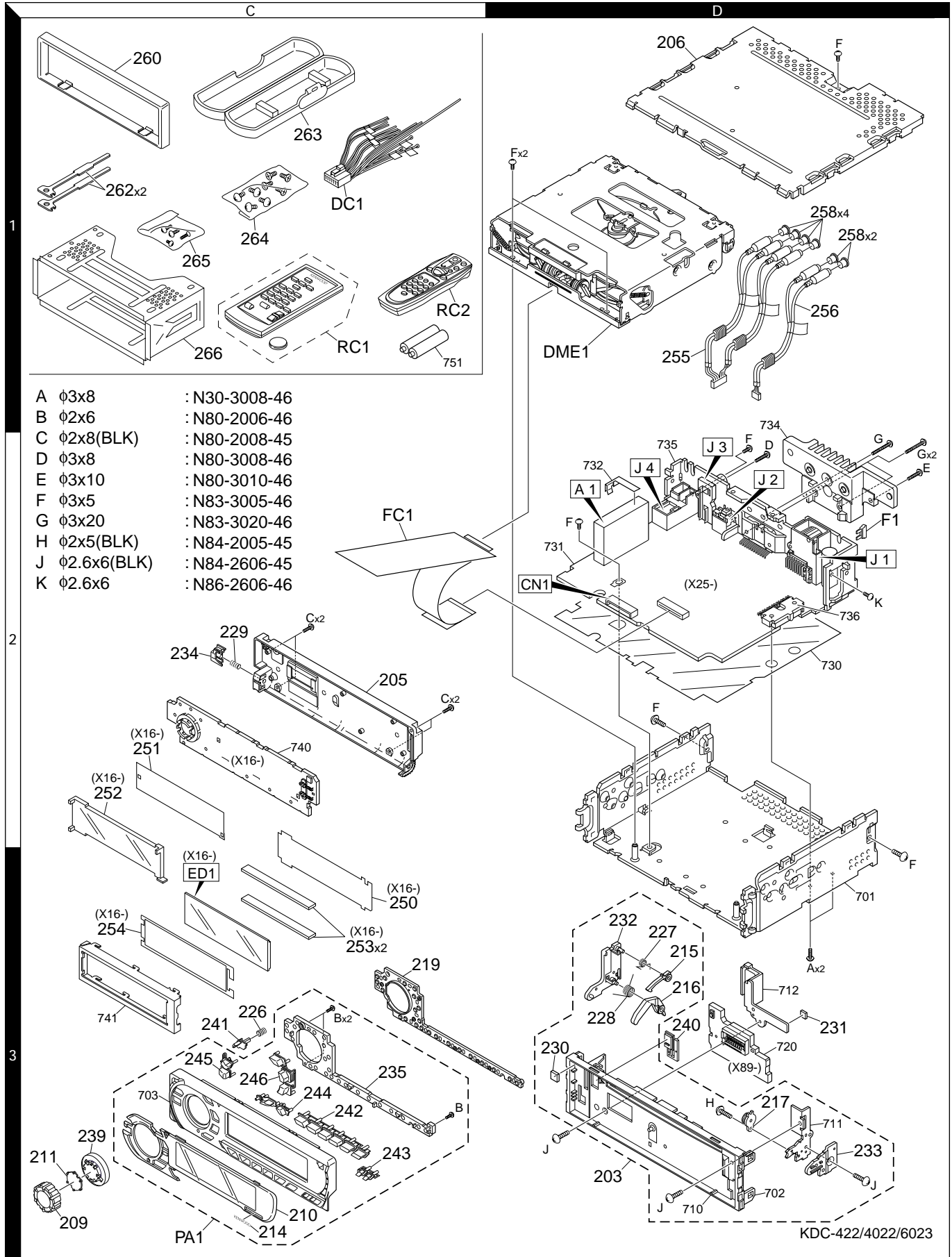
KDC-4022/422/6023

EXPLODED VIEW (MECHANISM)



KDC-4022/422/6023

EXPLODED VIEW (UNIT)



KDC-4022/422/6023

PARTS LIST

* New Parts

Parts without **Parts No.** are not supplied.

Les articles non mentionnes dans le **Parts No.** ne sont pas fournis.

Teile ohne **Parts No.** werden nicht geliefert.

Ref. No.	A d d	N e w	Parts No.	Description	Dest inati on
KDC-4022/422/6023					
203	3D	*	A22-2982-02	SUB PANEL ASSY	
205	2C		A46-1778-01	REAR COVER	
206	1D	*	A52-0829-02	TOP PLATE	
263	1C		A02-1486-13	PLASTIC CABINET ASSY	
PA1	3C	*	A64-2823-02	PANEL ASSY	K3
PA1	3C	*	A64-2832-02	PANEL ASSY	M
PA1	3C	*	A64-2853-02	PANEL ASSY	K4
RC1	1C		A70-2026-05	REMOTE CONTROLLER ASSY(RC-410)	M
RC2	1C	*	A70-2040-05	REMOTE CONTROLLER ASSY(RC-505)	K3K4
-			B46-0100-50	WARRANTY CARD	
-			B46-0606-04	ID CARD	K3K4
-			B46-0612-14	ID CARD	M
-			B46-0653-03	USER CARD	K3K4
-		*	B64-2516-00	INST. MANUAL (ENG,FRE,SPA)	K3K4
-		*	B64-2517-00	INST. MANUAL (ENG,T-CHI)	M
-		*	B64-2518-00	INST. MANUAL (ARABIC)	M
209	3C	*	B09-0529-03	CAP	
210	3C	*	B10-4303-01	FRONT GLASS	K3
210	3C	*	B10-4309-01	FRONT GLASS	M
210	3C	*	B10-4326-01	FRONT GLASS	K4
211	3C	*	B19-2200-04	LIGHTING BOARD	
214	3C		B43-1284-04	BADGE	
260	1C		B07-3022-02	ESCUTCHEON	
215	3D		D10-4730-03	LEVER	
216	3D		D10-4731-03	LEVER	
217	3D		D39-0255-05	DAMPER	
262	1C		D10-4589-04	LEVER	
219	3C	*	E29-1927-02	CONDUCTIVE RUBBER	
255	1D	*	E30-6228-05	CORD WITH PINPLUG	M
256	1D	*	E30-6229-05	CORD WITH PINPLUG	K3K4
DC1	1C		E30-4940-05	DC CORD	
FC1	2C		E39-0438-05	FLAT CABLE (24PIN)	
258	1D		F29-0626-04	INSULATING COVER	
F1	2D		F52-0006-05	FUSE(MINI BLADE TYPE : 10A)	
226	3C		G01-3129-04	COMPRESSION SPRING	
227	3D	*	G01-3171-04	TORSION COIL SPRING	
228	3D	*	G01-3172-04	TORSION COIL SPRING	
229	2C	*	G01-3173-04	COMPRESSION SPRING	
230	3D	*	G13-1267-04	CUSHION	
231	3D	*	G13-1268-04	CUSHION	
-			H10-4856-12	POLYSTYRENE FOAMED FIXTURE	
-			H25-0329-04	PROTECTION BAG (280X450X0.03)	
-			H25-0337-04	PROTECTION BAG (180X300X0.03)	
-		*	H54-2777-03	ITEM CARTON CASE	K3
-		*	H54-2778-03	ITEM CARTON CASE	K4
-		*	H54-2785-03	ITEM CARTON CASE	M
232	3D	*	J19-5203-03	HOLDER	
233	3D	*	J19-5204-03	HOLDER	
234	2C	*	J19-5205-03	HOLDER	
235	3C	*	J19-5206-02	HOLDER	
266	1C		J21-9716-03	MOUNTING HARDWARE ASSY	

K3: KDC-422

K4: KDC-4022

M: KDC-6023

Ref. No.	A d d	N e w	Parts No.	Description	Dest inati on
239	3C	*	K23-1072-13	KNOB (VOL)	
240	3D	*	K24-4000-03	KNOB (EJECT)	
241	3C	*	K24-4002-04	KNOB (DOOR)	
242	3C	*	K25-1521-03	KNOB (1-6)	
243	3C	*	K25-1522-04	KNOB (DISP)	
244	3C	*	K25-1523-03	KNOB (PLAY,STOP)	
245	3C	*	K25-1524-03	KNOB (FM,AM)	
246	3C	*	K25-1525-03	KNOB (SRC,SKIP)	
264	1C		N99-1719-05	SCREW SET	
265	1C	*	N99-1730-15	SCREW SET	
A	3D		N30-3008-46	PAN HEAD MACHINE SCREW	
B	3C		N80-2006-46	PAN HEAD TAPTITE SCREW	
C	2C		N80-2008-45	PAN HEAD TAPTITE SCREW	
F	2D		N83-3005-46	PAN HEAD TAPTITE SCREW	
H	3D		N84-2005-45	PAN HEAD TAPTITE SCREW	
J	3D		N84-2606-45	PAN HEAD TAPTITE SCREW	
-		*	X16-2020-10	SWITCH UNIT	M
-		*	X16-2020-12	SWITCH UNIT	K3K4
-		*	X25-9800-11	ELECTRIC UNIT	K3
-		*	X25-9800-12	ELECTRIC UNIT	K4
-		*	X25-9800-21	ELECTRIC UNIT	M
-		*	X89-2570-10	DAUGHTER UNIT	
DME1	1D	*	X92-4660-00	MECHANISM ASSY (DXM-6060W)	
SWITCH UNIT (X16-2020-10/12)					
250	3C	*	B11-1396-04	OPTICAL DIFFUSER	
251	2C	*	B11-1397-04	REFLECTION SHEET	
252	2C	*	B19-2199-03	LIGHTING BOARD	
D1 -14			B30-1566-05	LED(1608,RED)	K3K4
D1 -14			B30-1605-05	LED(2COLOR PG/RED)	M
D15 ,16			B30-1564-05	LED(1608,BLUE)	
D17 ,18			B30-1571-05	LED(WHITE)	
ED1			B38-1103-05	LIQUID CRYSTAL	
C1			CK73GB1H102K	CHIP C 1000PF	K
C2 -5			CK73GB1C104K	CHIP C 0.10UF	K
C6			CK73GB1H103K	CHIP C 0.010UF	K
C7			CK73FB1A225K	CHIP C 2.2UF	K
C8 -13			CK73GB1H103K	CHIP C 0.010UF	K
253	3C		E29-1925-04	CONDUCTIVE RUBBER	
J1			E59-0829-05	RECTANGULAR PLUG	
254	3C	*	F09-1823-04	SHEET	
CP1			R90-0714-05	MULTI-COMP 10K X4	
CP3			R90-1016-05	MULTI-COMP 470 X4	
R1			RK73GB2A303J	CHIP R 30K	J 1/10W
R2 -5			RK73GB2A222J	CHIP R 2.2K	J 1/10W
R6			RK73GB2A473J	CHIP R 47K	J 1/10W
R9			RK73GB2A392J	CHIP R 3.9K	J 1/10W
R10			RK73GB2A751J	CHIP R 750	J 1/10W
R11			RK73GB2A4R7J	CHIP R 4.7	J 1/10W
R13			RK73GB2A101J	CHIP R 100	J 1/10W
R15			RK73GB2A102J	CHIP R 1.0K	J 1/10W
R16 -19			RK73GB2A222J	CHIP R 2.2K	J 1/10W
R20 -23			RK73FB2B331J	CHIP R 330	J 1/8W

△ indicates safety critical components.

KDC-4022/422/6023

PARTS LIST

* New Parts

Parts without **Parts No.** are not supplied.

Les articles non mentionnes dans le **Parts No.** ne sont pas fournis.

Teile ohne **Parts No.** werden nicht geliefert.

SWITCH UNIT (X16-2020-10/12)

Ref. No.	A d d	N e w	Parts No.	Description	Dest inati on
R24 ,25			RK73FB2B361J	CHIP R 360 J 1/8W	
R26			RK73FB2B271J	CHIP R 270 J 1/8W	
R27 ,28			RK73GB2A472J	CHIP R 4.7K J 1/10W	
S24			T99-0446-05	ROTARY ENCODER	
D19			MA3091-L	ZENER DIODE	
IC1			LC75808W	MOS-IC	
IC2			PNA4S22M	ANALOGUE IC	
Q1			2SC4081	TRANSISTOR	
Q2			DTA114EUA	DIGITAL TRANSISTOR	
Q3 -5			2SC4081	TRANSISTOR	M
Q5			2SC4081	TRANSISTOR	K3K4
ELECTRIC UNIT (X25-9800-11/12/21)					
C1			C90-5242-05	ELECTRO 330UF 16WV	
C2			CK73GB1H103K	CHIP C 0.010UF K	
C3			CK73GB1H102K	CHIP C 1000PF K	
C4 -6			CK73GB1H103K	CHIP C 0.010UF K	
C20			C90-2962-05	ELECTRO 100UF 16WV	△
C21			CE04NW1A101M	ELECTRO 100UF 10WV	
C22 ,23			CE04NW1E100M	ELECTRO 10UF 25WV	
C24 ,25			CE04NW1C100M	ELECTRO 10UF 16WV	
C26			CE04NW1E100M	ELECTRO 10UF 25WV	
C27			CE04CW1H100M	ELECTRO 10UF 50WV	
C28			C90-2980-05	ELECTRO 220UF 16WV	
C29			CE04NW1C100M	ELECTRO 10UF 16WV	
C32			CK73GB1E223K	CHIP C 0.022UF K	
C33			CE04NW1H010M	ELECTRO 1.0UF 50WV	
C34			CK73GB1H103K	CHIP C 0.010UF K	
C51 ,52			CK73GB1H103K	CHIP C 0.010UF K	
C111			CK73GB1H102K	CHIP C 1000PF K	
C119			CK73GB1H103K	CHIP C 0.010UF K	
C163			CK73GB1A224K	CHIP C 0.22UF K	
C201,202			CE04NW1HR47M	ELECTRO 0.47UF 50WV	
C203			CK73GB1H223K	CHIP C 0.022UF K	
C204			CK73GB1H103K	CHIP C 0.010UF K	
C205			CK73GB1A474K	CHIP C 0.47UF K	
C206			CC73GCH1H151J	CHIP C 150PF J	
C207,208			CE04NW1H010M	ELECTRO 1.0UF 50WV	K4M
C209			CE04NW1H2R2M	ELECTRO 2.2UF 50WV	
C210			CK73GB1H103K	CHIP C 0.010UF K	
C211			CE04NW1A470M	ELECTRO 47UF 10WV	
C212,213			CK73GB1C104K	CHIP C 0.10UF K	
C214,215			CK73GB1H103K	CHIP C 0.010UF K	
C216,217			CE04NW1H010M	ELECTRO 1.0UF 50WV	
C218-221			CE04NW1H0R1M	ELECTRO 0.1UF 50WV	
C251-254			C90-5296-05	NP-ELECT 0.22UF 50WV	
C255			CE04NW1HR47M	ELECTRO 0.47UF 50WV	
C256			CE04NW1C220M	ELECTRO 22UF 16WV	
C257			CK73GB1C104K	CHIP C 0.10UF K	
C258			CE04NW1H010M	ELECTRO 1.0UF 50WV	
C301,302			CE04NW1HR47M	ELECTRO 0.47UF 50WV	
C303			CE04NW1A470M	ELECTRO 47UF 10WV	
C304			CK73GB1H103K	CHIP C 0.010UF K	
C351-354			CE04NW1C100M	ELECTRO 10UF 16WV	

Ref. No.	A d d	N e w	Parts No.	Description	Dest inati on
C355			CE04NW1A470M	ELECTRO 47UF 10WV	M
C356,357			CK73GB1H103K	CHIP C 0.010UF K	
C358,359			CE04NW1HR47M	ELECTRO 0.47UF 50WV	M
C360			CK73GB1H103K	CHIP C 0.010UF K	M
C401-404			CK73GB1C104K	CHIP C 0.10UF K	
C405			CK73GB0J105K	CHIP C 1.0UF K	
C406			CK73GB1C104K	CHIP C 0.10UF K	
C407			CC73GCH1H220J	CHIP C 22PF J	
C408			CC73GCH1H270J	CHIP C 27PF J	
C409			CE04CW0J470M	ELECTRO 47UF 6.3WV	
C500			CK73FB1A225K	CHIP C 2.2UF K	
C501,502			CK73GB1H103K	CHIP C 0.010UF K	
C503			CK73GB1H472K	CHIP C 4700PF K	
CN1			E41-0167-05	PIN ASSY (18PIN)	
CN2			E41-0168-05	FLAT CABLE CONNECTOR (24PIN)	
CN3			E40-3238-05	PIN ASSY (3PIN)	K3K4
CN4			E40-3241-05	PIN ASSY (6PIN)	M
J1			E58-0863-15	RECTANGULAR RECEPTACLE	
J2			E56-0834-05	CYLINDRICAL RECEPTACLE	
J3			E63-0887-05	PIN JACK	
J4			E04-0312-05	RF COAXIAL CABLE RECEPTACLE	
P1			E23-0745-05	TERMINAL	
W1 -9			E31-0001-00	JUMPER WIRE	
W11			E31-0001-00	JUMPER WIRE	
W16 -27			E31-0001-00	JUMPER WIRE	
W29 -34			E31-0001-00	JUMPER WIRE	
L1			L33-1170-05	CHOKE COIL ASSY	
L2			L33-1926-05	CHOKE COIL	
L3			L33-1123-05	LINE FILTER COIL	
L6 -8			L40-4795-91	SMALL FIXED INDUCTOR(4.7UH,J)	
L10 ,11			L40-4795-91	SMALL FIXED INDUCTOR(4.7UH,J)	
X1			L78-0821-05	RESONATOR (20MHz)	
X2			L77-2738-05	CRYSTAL RESONATOR (32.768KHz)	
D		2D	N80-3008-46	PAN HEAD TAPTITE SCREW	
E		2D	N80-3010-46	PAN HEAD TAPTITE SCREW	
F		2D	N83-3005-46	PAN HEAD TAPTITE SCREW	
G		2D	N83-3020-46	PAN HEAD TAPTITE SCREW	
K		2D	N86-2606-46	BINDING HEAD TAPTITE SCREW	
R1			RK73GB2A823J	CHIP R 82K J 1/10W	
R2			RK73GB2A363J	CHIP R 36K J 1/10W	
R3			RK73GB2A104J	CHIP R 100K J 1/10W	
R4			RK73FB2B203J	CHIP R 20K J 1/8W	
R5 ,6			RK73GB2A103J	CHIP R 10K J 1/10W	
R7			RK73GB2A223J	CHIP R 22K J 1/10W	
R8			RD14DB2H332J	SMALL-RD 3.3K J 1/2W	
R9			RD14BB2C333J	RD 33K J 1/6W	
R10			RK73GB2A223J	CHIP R 22K J 1/10W	
R11			RK73GB2A104J	CHIP R 100K J 1/10W	
R12			RK73GB2A473J	CHIP R 47K J 1/10W	
R13			RK73GB2A562J	CHIP R 5.6K J 1/10W	
R21			RK73FB2B152J	CHIP R 1.5K J 1/8W	
R22 ,23			RD14BB2C472J	RD 4.7K J 1/6W	
R24 -28			RK73GB2A103J	CHIP R 10K J 1/10W	

K3: KDC-422

K4: KDC-4022

M: KDC-6023

KDC-4022/422/6023

PARTS LIST

* New Parts

Parts without **Parts No.** are not supplied.

Les articles non mentionnés dans le **Parts No.** ne sont pas fournis.

Teile ohne **Parts No.** werden nicht geliefert.

ELECTRIC UNIT (X25-9800-11/12/21)

Ref. No.	A d d	N e w	Parts No.	Description	Dest inati on
R32			RK73GB2A104J	CHIP R 100K J 1/10W	
R34			RK73EB2E103J	CHIP R 10K J 1/4W	
R35			RK73GB2A104J	CHIP R 100K J 1/10W	
R36			RK73GB2A222J	CHIP R 2.2K J 1/10W	
R51 ,52			RK73GB2A222J	CHIP R 2.2K J 1/10W	
R53 -56			RK73GB2A102J	CHIP R 1.0K J 1/10W	
R57 ,58			RK73GB2A222J	CHIP R 2.2K J 1/10W	
R59			RK73GB2A101J	CHIP R 100 J 1/10W	
R60			RK73GB2A222J	CHIP R 2.2K J 1/10W	
R61 ,62			RK73GB2A104J	CHIP R 100K J 1/10W	
R63			RK73GB2A222J	CHIP R 2.2K J 1/10W	
R64 ,65			RK73GB2A104J	CHIP R 100K J 1/10W	
R67 ,68			RK73GB2A471J	CHIP R 470 J 1/10W	
R101			RK73GB2A102J	CHIP R 1.0K J 1/10W	
R102			RK73GB2A471J	CHIP R 470 J 1/10W	
R103			RK73GB2A472J	CHIP R 4.7K J 1/10W	
R104			RK73GB2A471J	CHIP R 470 J 1/10W	
R105			RK73GB2A472J	CHIP R 4.7K J 1/10W	
R106			RK73GB2A222J	CHIP R 2.2K J 1/10W	
R152			RK73GB2A102J	CHIP R 1.0K J 1/10W	
R153			RK73GB2A471J	CHIP R 470 J 1/10W	
R154			RK73GB2A102J	CHIP R 1.0K J 1/10W	
R155			RK73GB2A222J	CHIP R 2.2K J 1/10W	
R157,158			RK73GB2A471J	CHIP R 470 J 1/10W	
R159			RK73GB2A102J	CHIP R 1.0K J 1/10W	
R160			RK73GB2A222J	CHIP R 2.2K J 1/10W	
R161			RK73GB2A225J	CHIP R 2.2M J 1/10W	
R162,163			RK73GB2A104J	CHIP R 100K J 1/10W	
R164,165			RK73GB2A473J	CHIP R 47K J 1/10W	
R166			RK73GB2A472J	CHIP R 4.7K J 1/10W	
R167			RK73GB2A474J	CHIP R 470K J 1/10W	
R168,169			RK73GB2A102J	CHIP R 1.0K J 1/10W	
R185,186			RK73GB2A474J	CHIP R 470K J 1/10W	
R187			RK73GB2A222J	CHIP R 2.2K J 1/10W	
R188			RK73GB2A473J	CHIP R 47K J 1/10W	
R201			RK73GB2A103J	CHIP R 10K J 1/10W	
R202-204			RK73GB2A472J	CHIP R 4.7K J 1/10W	
R205			RK73GB2A222J	CHIP R 2.2K J 1/10W	
R206-208			RK73GB2A102J	CHIP R 1.0K J 1/10W	
R209,210			RK73GB2A103J	CHIP R 10K J 1/10W	
R211,212			RK73GB2A333J	CHIP R 33K J 1/10W	
R251			RK73GB2A103J	CHIP R 10K J 1/10W	
R252,253			RK73GB2A473J	CHIP R 47K J 1/10W	
R254			RK73GB2A152J	CHIP R 1.5K J 1/10W	
R255			RK73GB2A101J	CHIP R 100 J 1/10W	
R256			RK73GB2A103J	CHIP R 10K J 1/10W	
R257			RK73GB2A153J	CHIP R 15K J 1/10W	
R259-262			RK73GB2A223J	CHIP R 22K J 1/10W	
R301,302			RK73EB2E100J	CHIP R 10 J 1/4W	
R303			RK73EB2E101J	CHIP R 100 J 1/4W	
R304,305			RK73EB2E472J	CHIP R 4.7K J 1/4W	
R306			RK73EB2E4R7J	CHIP R 4.7 J 1/4W	
R307-309			RK73EB2E472J	CHIP R 4.7K J 1/4W	
R310,311			RK73EB2E101J	CHIP R 100 J 1/4W	
R312-315			RK73GB2A104J	CHIP R 100K J 1/10W	

Ref. No.	A d d	N e w	Parts No.	Description	Dest inati on
R351,352			RK73GB2A361J	CHIP R 360 J 1/10W	
R355,356			RK73GB2A223J	CHIP R 22K J 1/10W	
R357,358			RK73EB2E181J	CHIP R 180 J 1/4W	
R359,360			RK73GB2A361J	CHIP R 360 J 1/10W	
R361,362			RK73GB2A223J	CHIP R 22K J 1/10W	
R363,364			RK73EB2E181J	CHIP R 180 J 1/4W	
R365			RK73FB2B4R7J	CHIP R 4.7 J 1/8W	M
R373			RK73GB2A102J	CHIP R 1.0K J 1/10W	M
R376,377			RK73GB2A912J	CHIP R 9.1K J 1/10W	M
R378,379			RK73FB2B102J	CHIP R 1.0K J 1/8W	M
R401-408			RK73GB2A104J	CHIP R 100K J 1/10W	
R409			RK73GB2A153J	CHIP R 15K J 1/10W	
R410			RK73GB2A104J	CHIP R 100K J 1/10W	K3K4
R410,411			RK73GB2A104J	CHIP R 100K J 1/10W	M
R412			RK73GB2A104J	CHIP R 100K J 1/10W	K3K4
R415,416			RK73GB2A104J	CHIP R 100K J 1/10W	
R419			RK73GB2A104J	CHIP R 100K J 1/10W	K3M
R419,420			RK73GB2A104J	CHIP R 100K J 1/10W	K4
R421			RK73GB2A104J	CHIP R 100K J 1/10W	K3M
R422			RK73GB2A103J	CHIP R 10K J 1/10W	
W105-108			R92-1252-05	CHIP R 0 OHM J 1/16W	M
S1			S74-0821-05	MICRO SWITCH	
D1			1N5393G-M6	DIODE	
D2 -4			MA4068(N)-M	ZENER DIODE	
D21			MA4082(N)-L	ZENER DIODE	
D22 -25			AM01Z	DIODE	
D26			DAN202U	DIODE	
D26			MA142WK	DIODE	
D151-155			DA204K	DIODE	
D151-155			KDS226	DIODE	
D157-162			DA204K	DIODE	
D157-162			KDS226	DIODE	
D163			MA4062-L	ZENER DIODE	
D164			MA4120-L	ZENER DIODE	
D165			MA4062-L	ZENER DIODE	
D166			DA204U	DIODE	
D201,202			RD6.8M(B2)	ZENER DIODE	
D203-205			DAP202U	DIODE	
D203-205			MA142WA	DIODE	
D251-258			AM01Z	DIODE	
D269-271			1SS133	DIODE	
D301			MA4062-L	ZENER DIODE	
D303,304			MA4062-L	ZENER DIODE	
D307,308			MA4062-L	ZENER DIODE	
D309-311			MA4068(N)-M	ZENER DIODE	
D356			MA4062-L	ZENER DIODE	M
D357,358			MA4068(N)-M	ZENER DIODE	M
D359			DA204U	DIODE	M
D401			1SS133	DIODE	
IC1		*	UPD703030GC013	MI-COM IC	
IC2		*	TDA7411	ANALOGUE IC	
IC3			BA4911-V4	ANALOGUE IC	
IC4			TA8273H	ANALOGUE IC	

K3: KDC-422

K4: KDC-4022

M: KDC-6023

△ indicates safety critical components.

KDC-4022/422/6023

PARTS LIST

* New Parts

Parts without **Parts No.** are not supplied.

Les articles non mentionnés dans le **Parts No.** ne sont pas fournis.

Teile ohne **Parts No.** werden nicht geliefert.

ELECTRIC UNIT (X25-9800-11/12/21)

Ref. No.	A d d	N e w	Parts No.	Description	Dest inati on
IC6			HD74HC27FP	MOS-IC	
IC8		*	PST3436UL	MOS-IC	
Q1 -3			2SC4081	TRANSISTOR	
Q4			2SA1036K	TRANSISTOR	
Q21			2SD2375	TRANSISTOR	
Q22 ,23			UMC2N	TRANSISTOR	
Q31			DTC144EUA	DIGITAL TRANSISTOR	
Q31			KRC404	DIGITAL TRANSISTOR	
Q31			UN5213	DIGITAL TRANSISTOR	
Q151			DTA114YUA	DIGITAL TRANSISTOR	
Q151			KRA307	DIGITAL TRANSISTOR	
Q151			UN5114	DIGITAL TRANSISTOR	
Q152			2SA1576A	TRANSISTOR	
Q153			DTC144EUA	DIGITAL TRANSISTOR	
Q153			KRC404	DIGITAL TRANSISTOR	
Q153			UN5213	DIGITAL TRANSISTOR	
Q154			2SA1577	TRANSISTOR	
Q201			DTC143TUA	DIGITAL TRANSISTOR	
Q201			KRC410	DIGITAL TRANSISTOR	
Q201			UN5216	DIGITAL TRANSISTOR	
Q350			DTA124EUA	DIGITAL TRANSISTOR	
Q350			KRA303	DIGITAL TRANSISTOR	
Q350			UN5112	DIGITAL TRANSISTOR	
Q351,352			DTC143TUA	DIGITAL TRANSISTOR	
Q351,352			KRC410	DIGITAL TRANSISTOR	
Q351,352			UN5216	DIGITAL TRANSISTOR	
Q354			DTA124EUA	DIGITAL TRANSISTOR	
Q354			KRA303	DIGITAL TRANSISTOR	
Q354			UN5112	DIGITAL TRANSISTOR	
Q355,356			DTC143TUA	DIGITAL TRANSISTOR	
Q355,356			KRC410	DIGITAL TRANSISTOR	
Q355,356			UN5216	DIGITAL TRANSISTOR	
TH1			PTH9C42BE471Q	POSITIVE RESISTOR	
A1		*	X86-3720-11	FRONT-END UNIT	
CD PLAYER UNIT (X32-5400-00)					
C1			C92-0566-05	CHIP-TAN 10UF 6.3WV	
C2			CK73FB1A225K	CHIP C 2.2UF K	
C3			CK73GB0J105K	CHIP C 1.0UF K	
C5			CC73GCH1H020C	CHIP C 2.0PF C	
C6			CC73GCH1H390J	CHIP C 39PF J	
C7			CK73GB1C104K	CHIP C 0.10UF K	
C8			CK73GB0J105K	CHIP C 1.0UF K	
C9			CK73GB1H472K	CHIP C 4700PF K	
C10			CK73GB1C333K	CHIP C 0.033UF K	
C11			CK73GB1H682K	CHIP C 6800PF K	
C12			CK73GB1H332K	CHIP C 3300PF K	
C13			CC73GCH1H271J	CHIP C 270PF J	
C14			CK73GB1H472K	CHIP C 4700PF K	
C15			CK73GB1H222K	CHIP C 2200PF K	
C16			CC73GCH1H331J	CHIP C 330PF J	
C17 ,18			CK73GB1C104K	CHIP C 0.10UF K	
C31 -34			CK73GB1C104K	CHIP C 0.10UF K	
C36			CK73FB1A225K	CHIP C 2.2UF K	
C37 -39			CK73GB1H103K	CHIP C 0.010UF K	

Ref. No.	A d d	N e w	Parts No.	Description	Dest inati on
C40			CK73GB1H153K	CHIP C 0.015UF K	
C41			CK73GB1H102K	CHIP C 1000PF K	
C42			CK73GB1E473K	CHIP C 0.047UF K	
C43			CK73GB1H222K	CHIP C 2200PF K	
C44			CK73GB1H102K	CHIP C 1000PF K	
C45 -47			CK73GB1C104K	CHIP C 0.10UF K	
C48			CK73GB1H682K	CHIP C 6800PF K	
C49			CK73GB1H152K	CHIP C 1500PF K	
C50			CK73GB1H682K	CHIP C 6800PF K	
C51			CK73GB1H152K	CHIP C 1500PF K	
C52			CK73GB1C104K	CHIP C 0.10UF K	
C61			CK73FB1A225K	CHIP C 2.2UF K	
C62			CK73GB1C104K	CHIP C 0.10UF K	
C71 ,72			CK73GB1H471K	CHIP C 470PF K	
C73 ,74			CC73GCH1H680J	CHIP C 68PF J	
C75 ,76			CK73GB1H222K	CHIP C 2200PF K	
C77 ,78			CK73GB1C104K	CHIP C 0.10UF K	
C100-102			CK73GB1H102K	CHIP C 1000PF K	
CN1			E40-9536-05	FLAT CABLE CONNECTOR (16PIN)	
CN1			E41-0193-05	FLAT CABLE CONNECTOR (16PIN)	
CN2			E40-9527-05	FLAT CABLE CONNECTOR (24PIN)	
CN2			E41-0213-05	FLAT CABLE CONNECTOR (24PIN)	
		*	J74-1486-12	RIGID PRINTED WIRING BOARD	
X1			L78-0851-05	RESONATOR (16.93MHZ)	
CP1			R90-1019-05	MULTI-COMP 100 X2	
CP2			R90-1014-05	MULTI-COMP 100 X4	
CP3			R90-0974-05	MULT R 1.8KX4	
CP4			R90-0718-05	MULTI-COMP 4.7K X4	
CP5			R90-0720-05	MULTI-COMP 100K X4	
R1			RK73GB2A910J	CHIP R 91 J 1/10W	
R2 ,3			RK73GB2A562J	CHIP R 5.6K J 1/10W	
R4			RK73FB2B100J	CHIP R 10 J 1/8W	
R5 ,6			RK73GB2A332J	CHIP R 3.3K J 1/10W	
R7			RK73GB2A362J	CHIP R 3.6K J 1/10W	
R8			RK73GB2A273J	CHIP R 27K J 1/10W	
R9			RK73GB2A392J	CHIP R 3.9K J 1/10W	
R10			RK73GB2A104J	CHIP R 100K J 1/10W	
R11			RK73GB2A333J	CHIP R 33K J 1/10W	
R12			RK73GB2A244J	CHIP R 240K J 1/10W	
R13			RK73GB2A914J	CHIP R 910K J 1/10W	
R14			RK73GB2A104J	CHIP R 100K J 1/10W	
R15			RK73GB2A472J	CHIP R 4.7K J 1/10W	
R31			RK73GB2A273J	CHIP R 27K J 1/10W	
R32			RK73GB2A103J	CHIP R 10K J 1/10W	
R33			RK73GB2A183J	CHIP R 18K J 1/10W	
R34			RK73GB2A103J	CHIP R 10K J 1/10W	
R35			RK73GB2A393J	CHIP R 39K J 1/10W	
R36			RK73GB2A103J	CHIP R 10K J 1/10W	
R37			RK73GB2A622J	CHIP R 6.2K J 1/10W	
R38			RK73GB2A224J	CHIP R 220K J 1/10W	
R39			RK73GB2A104J	CHIP R 100K J 1/10W	
R40			RK73GB2A821J	CHIP R 820 J 1/10W	
R41			RK73GB2A473J	CHIP R 47K J 1/10W	

K3: KDC-422

K4: KDC-4022

M: KDC-6023

KDC-4022/422/6023

PARTS LIST

* New Parts

Parts without **Parts No.** are not supplied.

Les articles non mentionnes dans le **Parts No.** ne sont pas fournis.

Teile ohne **Parts No.** werden nicht geliefert.

CD PLAYER UNIT (X32-5400-00)

Ref. No.	A d d	N e w	Parts No.	Description	Dest inati on
R42			RK73GB2A472J	CHIP R 4.7K J 1/10W	
R43			RK73GB2A102J	CHIP R 1.0K J 1/10W	
R44 ,45			RK73GB2A103J	CHIP R 10K J 1/10W	
R46			RK73GB2A273J	CHIP R 27K J 1/10W	
R47			RK73GB2A222J	CHIP R 2.2K J 1/10W	
R48			RK73GB2A103J	CHIP R 10K J 1/10W	
R49			RK73GB2A393J	CHIP R 39K J 1/10W	
R50			RK73GB2A392J	CHIP R 3.9K J 1/10W	
R51			RK73GB2A103J	CHIP R 10K J 1/10W	
R52 ,53			RK73GB2A472J	CHIP R 4.7K J 1/10W	
R71			RK73GB2A133J	CHIP R 13K J 1/10W	
R72			RK73FB2B201J	CHIP R 200 J 1/8W	
R81 -86			RK73FB2B203J	CHIP R 20K J 1/8W	
R87 ,88			RK73FB2B331J	CHIP R 330 J 1/8W	
R89 ,90			RK73GB2A332J	CHIP R 3.3K J 1/10W	
R91 ,92			RK73GB2A562J	CHIP R 5.6K J 1/10W	
R100			RK73GB2A100J	CHIP R 10 J 1/10W	
S1 ,2			S68-0863-05	PUSH SWITCH	
S3			S68-0862-05	PUSH SWITCH	
D1			DAN202U	DIODE	
D1			MA142WK	DIODE	
D2			MA8051-L	ZENER DIODE	
D3			DA204U	DIODE	
IC1			AN22002AA	ANALOGUE IC	
IC2			MN6627771KP	MOS-IC	
IC3			BA5824FP	ANALOGUE IC	
IC4			NJM4580M1	ANALOGUE IC	
Q1			MCH6101	TRANSISTOR	
Q2			2SA1362(Y)	TRANSISTOR	
Q3			DTC124EUA	DIGITAL TRANSISTOR	
Q3			UN5212	DIGITAL TRANSISTOR	
Q4			DTA143XUA	DIGITAL TRANSISTOR	
Q5			2SC4081	TRANSISTOR	
Q6			2SA1576A	TRANSISTOR	
DAUGHTER UNIT (X89-2570-10)					
D1			B30-1566-05	LED(1608,RED)	
C1			CK73GB1H103K	CHIP C 0.010UF K	
CN1			E41-0169-05	SOCKET FOR PIN ASSY (18PIN)	
J1			E58-0865-05	RECTANGULAR RECEPTACLE (16PIN)	
R1			RK73EB2E102J	CHIP R 1.0K J 1/4W	
R2 -5			RK73EB2E471J	CHIP R 470 J 1/4W	
R6 ,7			RK73EB2E102J	CHIP R 1.0K J 1/4W	
R8			RK73EB2E241J	CHIP R 240 J 1/4W	
R9 ,10			RK73EB2E471J	CHIP R 470 J 1/4W	
R11 -13			RK73EB2E102J	CHIP R 1.0K J 1/4W	
S1			S70-0871-05	TACT SWITCH	
MECHANISM ASSY (X92-4660-00)					
2	1B		A10-4827-12	CHASSIS	
5	1B		D10-4576-33	ARM ASSY	
8	1A		D10-4579-03	LEVER ASSY	

Ref. No.	A d d	N e w	Parts No.	Description	Dest inati on
10	3A		D10-4581-13	ARM	
11	2A		D10-4582-13	ARM	
12	3A		D10-4583-03	ARM	
13	3A		D10-4584-03	ARM	
14	2A		D10-4585-03	ARM	
15	2A		D10-4586-13	SLIDER	
16	3B		D10-4587-22	SLIDER	
17	3B		D10-4588-03	SLIDER	
18	3B		D10-4595-04	ARM	
19	3B		D10-4596-14	ARM	
22	2A		D13-2151-04	GEAR	
23	2B		D13-2152-04	GEAR	
24	3B		D13-2153-04	GEAR	
25	3B		D13-2154-04	GEAR	
26	3B		D13-2155-04	WORM	
27	3B		D13-2156-14	GEAR	
28	3B		D13-2157-04	GEAR	
29	3B		D13-2158-04	GEAR	
30	3B		D13-2168-04	GEAR	
31	3B		D13-2171-04	GEAR	
32	3B		D13-2172-03	RACK (GEAR)	
33	2B		D14-0759-04	ROLLER	
35	2B		D21-2382-04	SHAFT	
36	1A		D23-0954-04	RETAINER	
37	1B		D39-0246-05	DAMPER	
38	2B		G01-3072-04	EXTENSION SPRING	
39	2A		G01-3073-04	TORSION COIL SPRING	
40	2A		G01-3074-04	EXTENSION SPRING	
41	2B		G01-3075-04	EXTENSION SPRING	
42	2A		G01-3076-04	EXTENSION SPRING	
43	1B		G01-3077-04	EXTENSION SPRING	
44	2B		G02-1399-04	FLAT SPRING	
45	2B		G02-1408-04	FLAT SPRING	
51	1A		J21-9676-22	MOUNTING HARDWARE	
52	3B		J21-9677-02	MOUNTING HARDWARE	
53	1B		J21-9678-03	MOUNTING HARDWARE	
55	1A		J90-1001-11	GUIDE	
56	1B		J90-1023-03	GUIDE	
DFPC1	2B		J84-0141-05	FLEXIBLE PRINTED WIRING BOARD	
A	2B		N09-4460-05	TAPTITE SCREW (OVAL P TAPTIT)	
B	1B		N09-4472-05	MACHINE SCREW (M1.7X8.5)	
C	2B		N09-6004-05	MACHINE SCREW (M1.7X2.5 IB-L)	
D	1B		N09-6108-05	MACHINE SCREW (M2*3.5TYPE3)	
E	2B		N09-6007-05	MACHINE SCREW (PAN M2X2)	
F	1A		N09-6051-05	TAPTITE SCREW (BIND P 2X5)	
G	2A		N19-2163-04	FLAT WASHER	
H	1B		N39-2020-46	PAN HEAD MACHIN SCREW	
DM1	3B		T42-1066-04	DC MOTOR ASSY (SPINDOL)	
DM2	2B		T42-1067-04	DC MOTOR ASSY (LOADING)	
-	3A		X32-5400-00	CD PLAYER UNIT	
DPU1	2B		X93-2010-00	OPTICAL PICKUP ASSY	

K3: KDC-422

K4: KDC-4022

M: KDC-6023

△ indicates safety critical components.

KDC-4022/422/6023

SPECIFICATIONS

	KDC-422/4022 (K type)	KDC-6023 (M type)
FM tuner section		
Frequency range (Frequency step)	87.9MHz~107.9MHz (200kHz) -	87.9MHz~107.9MHz (200kHz) 87.5MHz-108.0MHz (50kHz)
Channel space selection	50kHz/100kHz	50kHz/100kHz
Usable sensitivity (S/N 30dB)	9.3dBf (0.8μV/75Ω)	9.3dBf (0.8μV/75Ω)
Quieting sensitivity (S/N 50dB)	15.2dBf (1.6μV/75Ω)	15.2dBf (1.6μV/75Ω)
Frequency response (±3.0dB)	30Hz~15kHz	30Hz-15kHz
S/N (MONO)	70dB	70dB
Selectivity	≥80dB (±400kHz)	≥80dB (±400kHz)
Stereo separation (1kHz)	40dB (1kHz)	40dB
AM tuner section		
Frequency range (Frequency step)	530kHz~1700kHz (10kHz) -	530kHz~1700kHz (10kHz) 531kHz-1611kHz (9kHz)
Channel space selection	9kHz/10kHz	9kHz/10kHz
Usable sensitivity (S/N 20dB)	28dBμ (25μV)	28dBμ (25μV)
CD section		
Laser diode	GaAlAs (λ=780nm)	GaAlAs (λ=780nm)
Digital filter (D/A)	8 Times Over Sampling	8 Times Over Sampling
D/A converter	1 Bit	1 Bit
Spindle speed	500rpm~200rpm (CLV)	500rpm~200rpm (CLV)
Wow & Flutter	Below measurable limit	Below measurable limit
Frequency response	10Hz~20kHz (±1dB)	10Hz~20kHz (±1dB)
T.H.D.	0.01% (1kHz)	0.01% (1kHz)
S/N (1kHz)	105dB	105dB
Dynamic range	93dB	93dB
Channel separation	96dB	96dB
Audio section		
Preout level/Load	2.0V/10kΩ (CD-CH)	2.0V/10kΩ (CD-CH)
Preout impedance	≤600Ω	≤600Ω
Maximum power	50Wx4	50Wx4
Full bandwidth power	22Wx4 (at less than 1%THD)	22Wx4 (at less than 1%THD)
TONE section		
Bass	100Hz ±10dB	100Hz±10dB
Middle	1kHz ±10dB	1kHz ±10dB
Treble	10kHz ±10dB	10kHz±10dB
General		
Operating voltage	14.4V (11V~16V allowable)	14.4V (11V~16V allowable)
Current consumption	10A	10A
Installation size (WxHxD)	182x53x155 (mm) 7 -3/16 x 2-1/16 x 6-1/10(inch)	182x53x155 (mm) 7 -3/16 x 2-1/16 x 6-1/10(inch)
Weight	1.20kg (2.64lbs)	1.20kg (2.64lbs)

KENWOOD follows a policy of continuous advancements in development. For this reason specifications may be changed without notice.

KENWOOD CORPORATION

2967-3, Ishikawa-machi, Hachioji-shi, Tokyo 192-8525, Japan

KENWOOD USA CORPORATION

P.O. BOX 22745, 2201 East Dominguez Street, Long Beach, CA90801-5745, U.S.A.

KENWOOD ELECTRONICS CANADA INC.

6070 Kestrel Road, Mississauga, Ontario, Canada L5T 1S8

KENWOOD ELECTRONICS LATIN AMERICA S.A.

P.O. Box 55-2791 Paitilla, Plaza Credicorp Bank Panama, Piso 9, Oficina 901, Calle 50, Panama, Rep. de Panama

KENWOOD ELECTRONICS BRASIL LTDA.

Alameda Ministro Rocha Azevedo No. 456, Edificio Jaú, 10o Andar, Cerqueira César, Cep 0140-001, São Paulo-SP-Brasil

KENWOOD ELECTRONICS UK LIMITED

Kenwood House, Dwight Road, Watford, Herts, WD18 9EB, United Kingdom

KENWOOD ELECTRONICS DEUTSCHLAND GMBH

Rembrücker-Str. 15, 63150 Heusenstamm, Germany

KENWOOD ELECTRONICS FRANCE S.A.

13, Boulevard Ney, 75018 Paris, France

KENWOOD ELECTRONICS BELGIUM N.V.

Leuvensesteenweg 248 J, 1800 Vilvoorde, Belgium

KENWOOD ELECTRONICS ITALIA S.p.A.

Via G. Sirtori 7/9, 20129 Milano, Italy

KENWOOD IBÉRICA S.A.

Bolivia, 239-08020 Barcelona, Spain

KENWOOD ELECTRONICS AUSTRALIA PTY. LTD. (A.C.N. 001 499 074)

16 Giffnock Avenue, Centrecourt Estate, North Ryde, N.S.W. 2113, Australia

KENWOOD ELECTRONICS (HONG KONG) LTD.

Unit 3712-3724, Level 37, Tower 1, Metroplaza, 223 Hing Fong Road, Kwai Fong, N.T., Hong Kong

KENWOOD ELECTRONICS GULF FZE

P.O. Box 61318, Jebel Ali, Dubai, U.A.E.

KENWOOD ELECTRONICS (THAILAND) CO., LTD.

2019 New Pechburi Road, Bangkapi, Huaykwang, Bangkok, 10320 Thailand

KENWOOD ELECTRONICS SINGAPORE PTE. LTD.

1 Genting Lane, #07-00, Kenwood Building, Singapore, 349544

KENWOOD ELECTRONICS (MALAYSIA) SDN BHD

#4.01 Level 4, Wisma Academy Lot 4A, Jalan 19/1, 46300 Petaling Jaya, Selangor Darul Ehsan, Malaysia